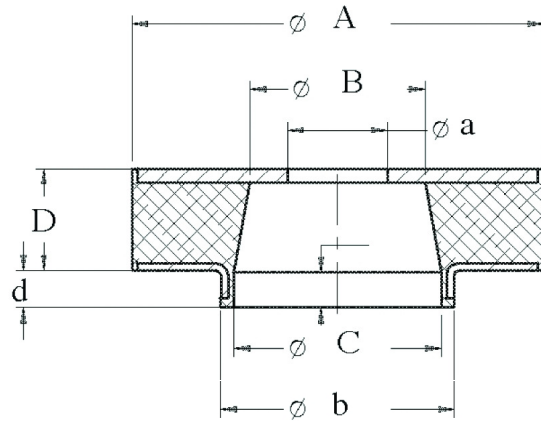
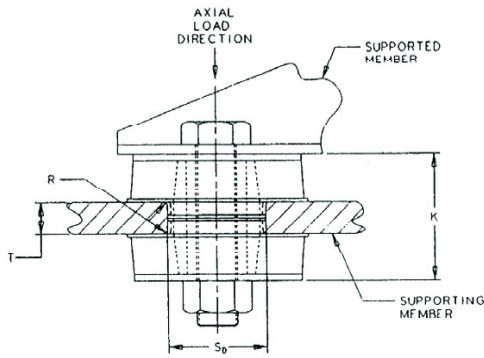


Three Piece-Isolator



Part Number	Dia. x Height mm (Inch) (A) x (D)	bolt hole mm (Inch) (B)	Base Plate Hole mm (Inch) (T)	Mounting Plate Thickness mm (Inch) (T)	Collar mm (Inch) (d)	Baseplate Thickness mm (Inch) (T)	Quality		Axial Load/Deflection	
							ShoreA Duro	Elastomer	N at mm	Lbs at Inch
TPI368w TPI368 TPI368h	36 x 8 (1.42) x (.31)	16.6 (.65)	20 (.79)	6 (.24)	3 (.12)	4 (.16)	43 57 68	NR	190 N at .8 mm 500 N at .8 mm 1200 N at .8 mm	41 LBS at .03" 105 LBS at .03" 260 LBS at .03"
TPI5620w TPI5620 TPI5620h	56 x 20 (2.20) x (.79)	13.5 (.53)	34.5 (1.36)	15 (.59)	7.5 (.30)	10.5 (.41)	43 57 68	NR	150 N at 1.8 mm 1200 N at 1.8 mm 2000 N at 1.8 mm	119 LBS at .07" 260 LBS at .07" 260 LBS at .07"
TPI6720w TP6720 TPI6720h	67 x 20.5 (2.64) x (.81)	16.5 (.65)	35.1 (1.38)	16 (.63)	8 (.31)	15.5 (.61)	43 57 68	NR	800 N at 2.0 mm 1600 N at 2.0 mm 3400 N at 2.0 mm	173 LBS at .08" 346 LBS at .08" 735 LBS at .08"
TPI8220w TPI8220 TPI8220h	82 x 20.6 (3.23) x (.81)	24 (.94)	50.8 (2)	16 (.63)	8 (.31)	22 (.87)	43 57 68	NR	1800 N at 2.2 mm 3400 N at 2.2 mm 4600 N at 2.3 mm	390 LBS at .09" 735 LBS at .09" 1000 LBS at .09"
TPI822001w TPI822001 TPI822001h	80 x 20.6 (3.15) x (.81)	27 (1.06)	46.7 (1.84)	15 (.59)	7.5 (.30)	32 (1.26)	43 57 68	NR	5000 N at 2.2 mm 10000 N at 2.3 mm 15000 N at 2.3 mm	1082 LBS at .09" 2160 LBS at .09" 3245 LBS at .09"