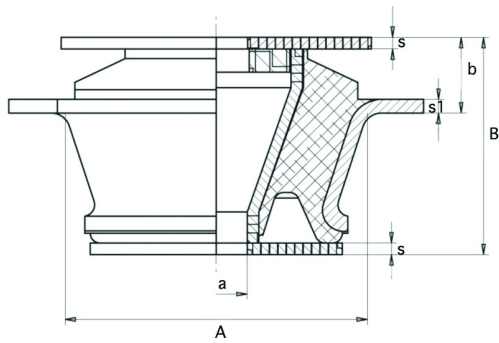
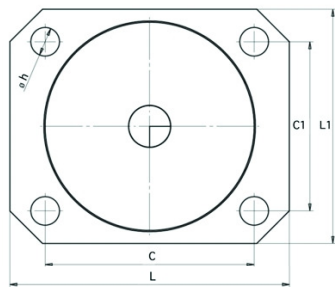


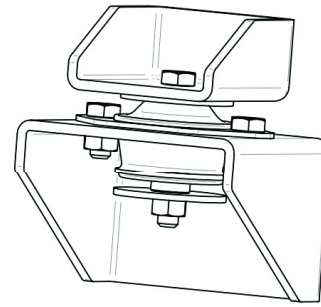
# Cone-Mounts



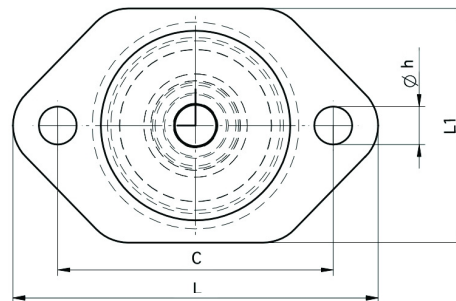
Four-Hole-Square



Style 1



Two-Hole-Flange



Style 2

Part Number	Length x Height mm (Inch) (A) x (B)	Inner Diameter (Inch) (a)	Mounting Space mm (Inch) (b)	Plate Length mm (Inch) (L)	Plate Length mm (Inch) (L1)	Hole Separation mm (Inch) (C)	Hole Separation mm (Inch) (C1)	Plate Thickness mm (Inch) (S)	Mounting Holes mm (Inch) (h)	Style	Quality		Max. Static Compression Force	
											ShoreA Duro	Elastomer	kN	lbs
EO46w	46 x 27.5" (1.81) x (1.08)	12.7 (.50)	12.0 (.47)	84 (3.31)	50 (1.97)	64 (2.52)	-	2 (.08)	6.5 (.26)	2	43	NR	.50	112
EO46											57		.70	157
EO46h											68		1.0	225
EO60w	60 x 51 (2.36) x (2.01)	12.0 (.50)	16.5 (.65)	106 (4.17)	68 (2.68)	80 (3.15)	-	2 (.08)	11.0 (.43)	2	43	NR	1.05	236
EO60											57		1.50	337
EO60h											68		2.0	450
EO78w	78 x 56 (3.07) x (2.20)	16.0 (.50)	19.1 (.75)	107 (4.21)	90 (3.54)	80 (3.15)	65 (2.56)	3 (.12)	11.0 (.43)	1	43	NR	1.90	427
EO78											57		2.80	629
EO78h											68		3.80	854
EO93w	93 x 81.5 (3.66) x (3.21)	16.2 (.50)	21.0 (.83)	120 (4.72)	100 (3.94)	90 (3.54)	74 (2.91)	4.5 (.18)	11.0 (.43)	1	43	NR	4.40	989
EO93											57		6.30	1,416
EO93h											68		8.70	1,956
EO109w	109 x 95 (4.29) x (3.74)	20.1 (.50)	23.0 (.91)	140 (5.51)	120 (4.72)	112 (4.41)	92 (3.62)	4.5 (.18)	11.0 (.43)	1	43	NR	6.40	1,439
EO109											57		11.30	2,540
EO109h											68		15.50	3,485