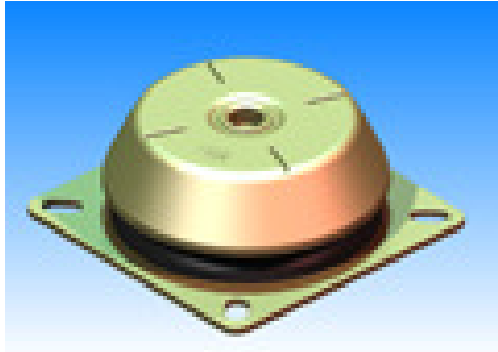


DS Mounts



DESCRIPTION

The DS-type mounts are anti-vibration mounts that work the rubber in shear-compression mode and are taller than the DH product. The extra height provides greater elasticity and lower natural frequency. This range of mounts is suitable for applications where maximum isolation is the goal.

TECHNICAL CHARACTERISTICS

- The top metal cover protects the rubber from the Ozone, UV rays, diesel and oils which damage the rubber.
- The metal parts have a suitable anticorrosive treatment for outdoor applications.
- They have an inside stop washer which limits vertical travel and provides fail-safe protection.

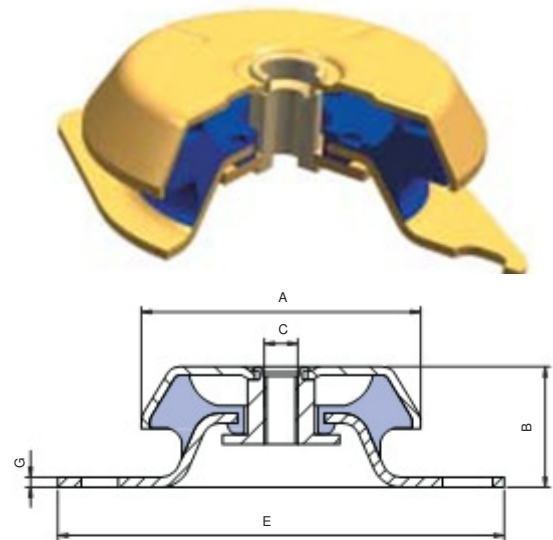
-The mounts are clearly identified, as the bases are engraved with the hardness, which makes it possible to easily recognize the piece even after several years of use.

-The cover has a cross stamped on the top, which enhances its rigidity on mobile applications and also improves the evacuation of oils or liquids that precipitate onto it.

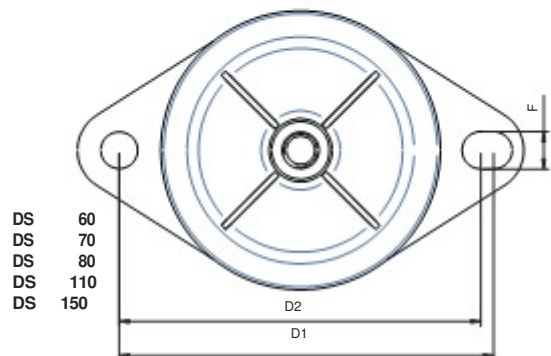
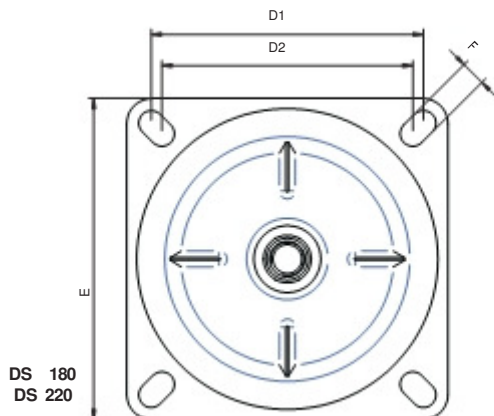
APPLICATIONS:

This mount is suitable for the insulation of mobile rotary machines which are exposed to axial and radial shocks, dripping, oil diesel or exposure to the weather. It is particularly interesting for applications where a high level of vibration insulation is required.

TYPE		40 Sh	50 Sh	60 Sh	70 Sh
DS 60	Load (kg)	30	45	65	75
DS 70	Load (kg)	50	75	120	140
DS 80 M10	Load (kg)	80	130	175	235
DS 80 M12	Load (kg)	80	130	175	235
DS 110 M12	Load (kg)	200	305	420	425
DS 110 M16	Load (kg)	200	305	420	425
DS 150	Load (kg)	450	570	800	1000
DS 180	Load (kg)	875		1700	
DS 220	Load (kg)	1600	2400	3400	4200



A-A SECTION

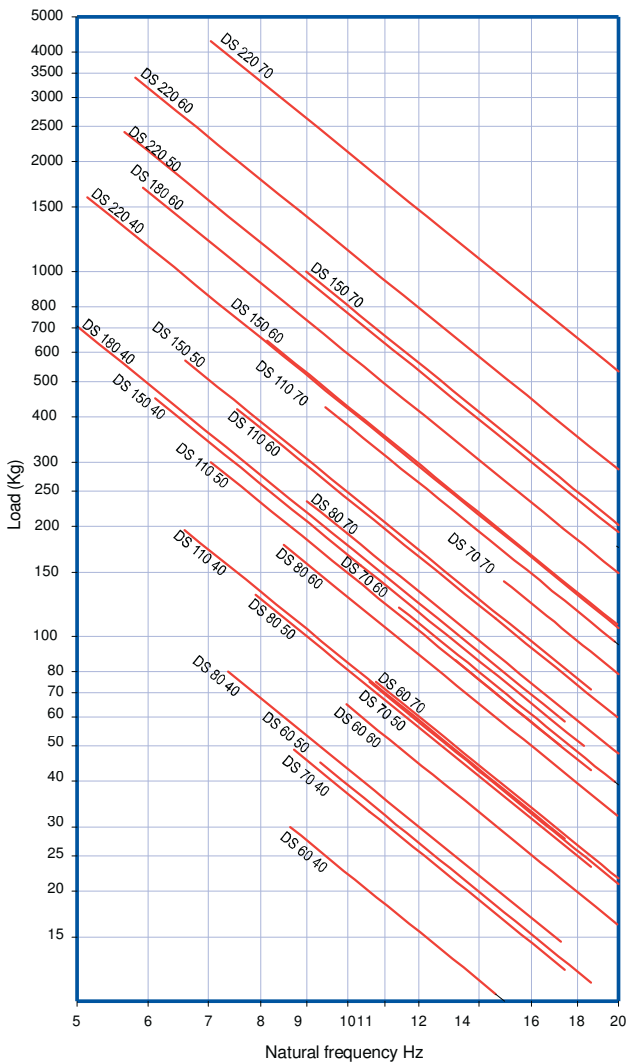


DS Mounts

Part #	A	B	C	D1 (Min)	D2 (Max)	E	G	F	Weight				
									40 Sh	50 Sh	60 Sh	70 Sh	(g)
DS 60	64	35	M-10	76	91	110	2.5	9					225
DS 70	65	35	M-12	100	100	120	3	11					253
DS 80 M10	83	35	M-10	108	110	130	3	9					398
DS 80 M12	83	35	M-12	108	110	130	3	9					398
DS 110 M12	106	41	M-12	133	146	170	3.5	12.5					857
DS 110 M16	106	41	M-16	133	146	170	3.5	12.5					857
DS 150	150	53.5	M-16	176	188	218	4	14.5					1840
DS 180	183	86	M-20	146	146	180	5	14.5					3100
DS 220	220	105	M-24	180	180	220	6	17.5					6716

DYNAMIC DS

Natural Frequencies
DS TYPE



DEFLECTION DS

LOAD DEFLECTION GRAPHS
DS TYPE

