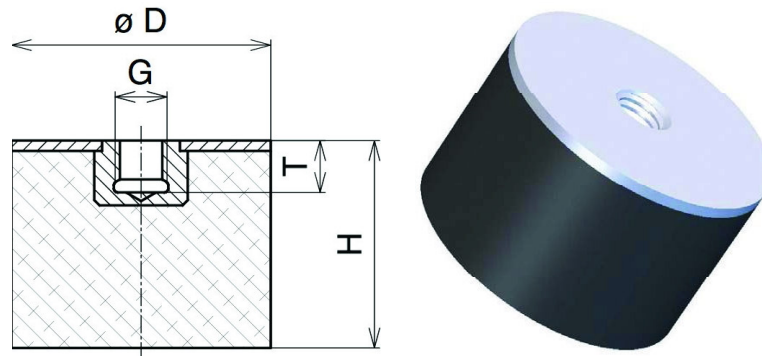
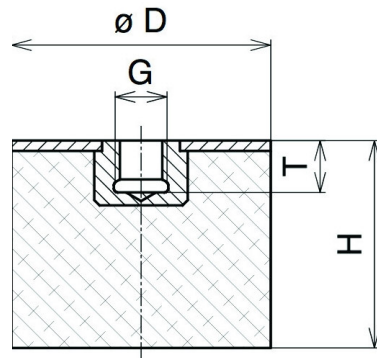


E-UNC-Bumpers



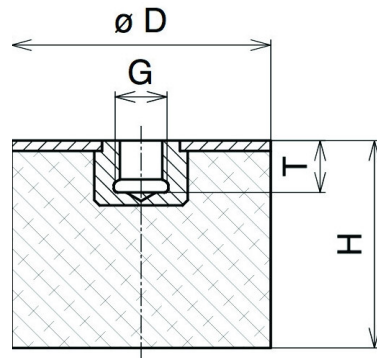
Part Number	Dia. x Height mm (Inch) (D) x (H)	Thread (G)	Depth mm (Inch) (T)	Thickness mm (Inch) (S)	Quality NR ShoreA Duro	Compression				Shear			
						Max. Static Load		Spring Rate Ks		Max. Static Load		Spring Rate Ks	
						N	lbs	N/mm	lbs/in	N	lbs	N/mm	lbs/in
1010OU	10 x 10 (.39) x (.39)	UNC8-32	4 (.16)	1 (.04)	43	21	5	33	186	7	2	7	40
1010EU					39	9	61	345	13	3	13	73	
1010QU					63	14	99	559	21	5	21	119	
1320OU	13 x 20 (.51) x (.79)	UNC8-32	3 (.12)	1.5 (.06)	43	28	6	17	96	9	2	4	23
1320EU					52	12	31	178	17	4	7	42	
1320PU					84	19	51	288	27	6	12	68	
1510OU	15 x 10 (.59) x (.39)	UNC8-32	4 (.16)	1.5 (.06)	43	70	16	140	791	23	5	20	113
1510EU					130	29	259	1464	43	10	37	209	
1510QU					210	47	420	2374	69	16	60	339	
1513OU	15 x 13 (.59) x (.51)	UNC8-32	4 (.16)	1.5 (.06)	43	51	11	64	362	17	4	13	73
1513EU					94	21	118	669	31	7	24	136	
1513QU					153	34	192	1085	51	11	39	220	
1515OU	15 x 13 (.59) x (.51)	UNC8-32	4 (.16)	1.5 (.06)	43	46	10	46	260	15	3	10	57
1515EU					85	19	85	481	28	6	19	105	
1515QU					138	31	138	780	45	10	30	170	
2013OU	20 x 13 (.79) x (.51)	UNC1/4-20	6 (.24)	2 (.08)	43	120	27	172	972	40	9	26	147
2013EU					222	50	318	1798	74	17	48	272	
2013QU					360	81	516	2916	120	27	78	441	
2015OU	20 x 15 (.79) x (.59)	UNC1/4-20	6 (.24)	2 (.08)	43	100	22	112	633	33	7	20	113
2015EU					185	42	207	1171	61	14	37	209	
2015QU					300	67	336	1899	99	22	60	339	
2020OU	20 x 20 (.79) x (.79)	UNC1/4-20	6 (.24)	2 (.08)	43	80	18	57	322	27	6	13	73
2020EU					148	33	105	596	50	11	24	136	
2020QU					240	54	171	966	81	18	39	220	
2025OU	20 x 25 (.79) x (.98)	UNC1/4-20	6 (.24)	2 (.08)	43	72	16	38	215	24	5	9	51
2025EU					133	30	70	397	44	10	17	94	
2025QU					216	49	114	644	72	16	27	153	
2510OU	25 x 10 (.98) x (.39)	UNC1/4-20	6 (.24)	2 (.08)	43	250	56	396	2238	83	19	44	249
2510EU					463	104	733	4140	154	35	81	460	
2510QU					750	169	1188	6714	249	56	132	746	
2513OU	25 x 13 (.98) x (.51)	UNC1/4-20	6 (.24)	2 (.08)	43	178	40	192	1085	59	13	30	170
2513EU					329	74	355	2007	109	25	56	314	
2513QU					534	120	576	3255	177	40	90	509	

E-UNC-Bumpers



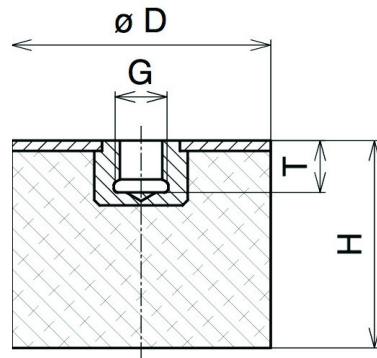
Part Number	Dia. x Height mm (Inch) (D) x (H)	Thread (G)	Depth mm (Inch) (T)	Thickness mm (Inch) (S)	Quality NR ShoreA Duro	Compression				Shear			
						Max. Static Load		Spring Rate Ks		Max. Static Load		Spring Rate Ks	
						N	lbs	N/mm	lbs/in	N	lbs	N/mm	lbs/in
2515OU	25 x 15 (.98) x (.59)	UNC1/4-20	6 (.24)	2 (.08)	43 57 68	178	40	192	1085	59	13	30	170
2515EU						329	74	355	2007	109	25	56	314
2515QU						534	120	576	3255	177	40	90	509
2517OU	25 x 17 (.98) x (.67)	UNC1/4-20	6 (.24)	2 (.08)	43 57 68	142	32	85	480	44	10	18	102
2517EU						263	59	157	889	81	18	33	188
2515QU						426	96	255	1441	132	30	54	305
2525OU	25 x 25 (.98) x (.98)	UNC1/4-20	6 (.24)	2 (.08)	43 57 68	113	25	49	277	38	9	12	68
2525EU						209	47	91	512	70	16	22	125
2525QU						339	76	147	831	114	26	36	203
3012OU	30 x 12 (1.18) x (.47)	UNC5/16-18	8 (.31)	2 (.08)	43 57 68	280	63	280	1582	93	21	40	226
3012EU						518	116	518	2927	172	39	74	418
3012QU						840	189	840	4747	279	63	120	678
3015OU	30 x 15 (1.18) x (.59)	UNC5/16-18	8 (.31)	2 (.08)	43 57 68	231	52	178	1006	77	17	31	175
3015EU						427	96	329	1861	142	32	57	324
3015QU						693	156	534	3018	231	52	93	526
3020OU	30 x 20 (1.18) x (.79)	UNC5/16-18	8 (.31)	2 (.08)	43 57 68	192	43	107	605	64	14	22	124
3020EU						355	80	198	1119	118	27	41	230
3020QU						576	129	321	1814	192	43	66	373
3030OU	30 x 30 (1.18) x (1.18)	UNC5/16-18	8 (.31)	2 (.08)	43 57 68	162	36	58	328	54	12	14	79
3030EU						300	67	107	606	100	22	26	146
3030QU						486	109	174	983	162	36	42	237
4020OU	40 x 20 (1.57) x (.79)	UNC5/16-18	8 (.31)	2 (.08)	43 57 68	401	90	223	1260	134	30	40	226
4020EU						742	167	413	2331	248	56	74	418
4020QU						1203	270	669	3781	402	90	120	678
4025OU	40 x 25 (1.57) x (.98)	UNC5/16-18	8 (.31)	2 (.08)	43 57 68	349	78	152	859	116	26	31	175
4025EU						646	145	281	1589	215	48	57	324
4025QU						1047	235	456	2577	348	78	93	526
4028OU	40 x 28 (1.57) x (1.10)	UNC5/16-18	8 (.31)	2 (.08)	43 57 68	330	74	127	718	110	25	28	158
4028EU						611	137	235	1328	204	46	52	293
4028QU						990	223	381	2153	330	74	84	475
4045OU	40 x 45 (1.57) x (1.77)	UNC5/16-18	8 (.31)	2 (.08)	43 57 68	227	51	64	362	17	4	17	96
4045EU						420	94	118	669	31	7	31	178
4045QU						681	153	192	1085	51	11	51	288

E-UNC-Bumpers



Part Number	Dia. x Height mm (Inch) (D) x (H)	Thread (G)	Depth mm (Inch) (T)	Thickness mm (Inch) (S)	Quality NR ShoreA Duro	Compression				Shear			
						Max. Static Load		Spring Rate Ks		Max. Static Load		Spring Rate Ks	
						N	lbs	N/mm	lbs/in	N	lbs	N/mm	lbs/in
5021OU	50 x 21 (1.97) x (.83)	UNC3/8-16	10 (.39)	2 (.08)	43	902	203	643	3634	80	18	80	452
5021EU					57	1669	375	1190	6722	148	33	148	836
5021QU					68	2706	608	1929	10901	240	54	240	1356
5028OU	50 x 28 (1.97) x (1.10)	UNC3/8-16	10 (.39)	2 (.08)	43	655	147	311	1758	218	49	53	300
5028EU					57	1212	272	575	3251	403	91	98	554
5028QU					68	1965	442	933	5273	654	147	159	899
5030OU	50 x 30 (1.97) x (1.18)	UNC3/8-16	10 (.39)	2 (.08)	43	618	139	268	1515	206	46	49	277
5030EU					57	1143	257	496	2802	381	86	91	512
5030QU					68	1854	417	804	4544	618	139	147	831
5040OU	50 x 40 (1.97) x (1.57)	UNC3/8-16	10 (.39)	2 (.08)	43	512	115	155	876	171	38	34	192
5040EU					57	947	213	287	1620	316	71	63	355
5040QU					68	1536	345	465	2628	513	115	102	576
5050OU	50 x 50 (1.97) x (1.97)	UNC3/8-16	10 (.39)	2 (.08)	43	462	104	107	605	154	35	26	147
5050EU					57	855	192	198	1119	285	64	48	272
5050QU					68	1386	312	321	1814	462	104	78	441
7525OU	75 x 25 (2.95) x (.98)	UNC1/2-13	12.7 (.5)	3 (.12)	43	2303	518	1246	7041	768	173	136	769
7525EU					57	4261	958	2305	13027	1421	319	252	1422
7525QU					68	6909	1553	3738	21124	2304	518	408	2306
7540OU	75 x 40 (2.95) x (1.57)	UNC1/2-13	12.7 (.5)	3 (.12)	43	1418	319	423	2390	473	106	75	424
7540EU					57	2623	590	783	4422	875	197	139	784
7540QU					68	4254	956	1269	7171	1419	319	225	1272
7545OU	75 x 45 (2.95) x (1.77)	UNC1/2-13	12.7 (.5)	3 (.12)	43	1305	293	339	1916	435	98	66	373
7545EU					57	2414	543	627	3544	805	181	122	690
7545QU					68	3915	880	1017	5747	1305	293	198	1119
7550OU	75 x 50 (2.95) x (1.97)	UNC1/2-13	12.7 (.5)	3 (.12)	43	1223	275	281	1588	408	92	58	328
7550EU					57	2263	509	520	2938	755	170	107	606
7550QU					68	3669	825	843	4764	1224	275	174	983
1030OU	100 x 30 (3.94) x (1.18)	UNC1/2-13	12.7 (.5)	4 (.16)	43	4656	1047	2136	12071	1552	349	206	1164
1030EU					57	8614	1936	3952	22331	2871	645	381	2154
1030QU					68	13968	3140	6408	36213	4656	1047	618	3492
1040OU	100 x 40 (3.94) x (1.57)	UNC1/2-13	12.7 (.5)	4 (.16)	43	3234	727	1017	5747	1078	242	141	797
1040EU					57	5983	1345	1881	10632	1994	448	261	1474
1040QU					68	9702	2181	3051	17242	3234	727	423	2390

E-UNC-Bumpers



Part Number	Dia. x Height mm (Inch) (D) x (H)	Thread (G)	Depth mm (Inch) (T)	Thickness mm (Inch) (S)	Quality NR ShoreA Duro	Compression				Shear			
						Max. Static Load		Spring Rate Ks		Max. Static Load		Spring Rate Ks	
						N	lbs	N/mm	lbs/in	N	lbs	N/mm	lbs/in
1050OU	100 x 50 (3.94) x (1.97)	M16	45 (1.77)	4 (.16)	43	2473	556	538	3040	824	185	97	548
1050EU					4575	1029	995	5625	1524	343	179	1014	
1050QU					7419	1668	1614	9121	2472	556	291	1645	
1060OU	100 x 60 (3.94) x (2.36)	M16	45 (1.77)	4 (.16)	43	2313	520	395	2232	738	166	80	452
1060EU					4279	962	731	4130	1365	307	148	836	
1060QU					6939	1560	1185	6697	2214	498	240	1356	
1250OU	125 x 50 (4.92) x (1.97)	M16	45 (1.77)	4 (.16)	43	4574	1028	1017	5747	1525	343	156	882
1250EU					8462	1902	1881	10632	2821	634	289	1631	
1250QU					13722	3085	3051	17242	4575	1029	468	2645	
1550OU	150 x 50 (5.91) x (1.97)	M16	45 (1.77)	5 (.20)	43	7649	1720	1700	9607	2550	573	224	1266
1550EU					14151	3181	3145	17773	4718	1061	414	2342	
1050QU					22947	5159	5100	28821	7650	1720	672	3798	
2050OU	200 x 50 (7.87) x (1.97)	M20	45 (1.77)	5 (.20)	43	18000	4047	4000	22605	6000	1349	400	2260
2050EU					33300	7486	7400	41819	11100	2495	740	4182	
2050QU					54000	12140	12000	67815	18000	4047	1200	6781	