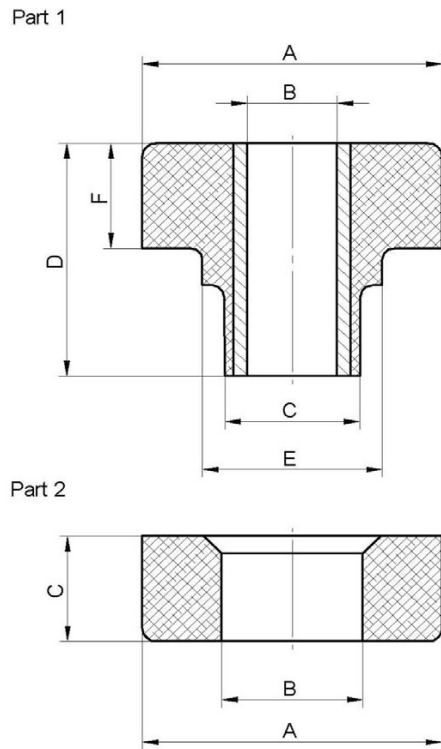
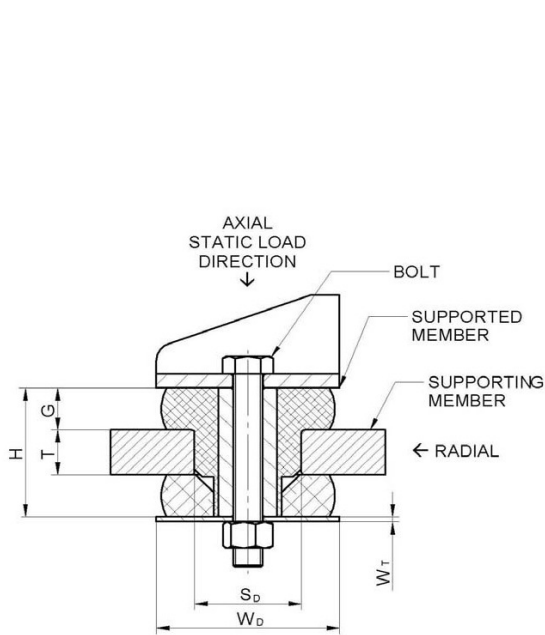


Two-Piece-Bush-Mounts



Part Number	Dia. x Height mm (Inch) (A) x (D)	bolt hole mm (Inch) (B)	Baseplate Hole mm (Inch) (F)	Height mm (Inch) (E & C)	Baseplate Thickness mm (Inch) (T)	Quality		Axial Load/Deflection	
						ShoreA Duro	Elastomer	N at mm	Lbs at Inch
TPB3227w TPB3227 TPB3227h	32 x 27 (1.26) x (1.06)	10 (.39)	19 (.75)	12 (.47)	4 (.16)	43 57 68	NR	350 N at .6 mm 650 N at .6 mm 1000 N at .6 mm	78 LBS at .023" 146 LBS at .023" 225 LBS at .023"
TPB4849w TPB4849 TPB4849h	48 x 49 (1.89) x (1.93)	13.5 (.53)	32.5 (1.28)	19 (.75)	10.5 (.41)	43 57 68	NR	550 N at 1.0 mm 850 N at 1.0 mm 1450 N at 1.0 mm	123 LBS at .039" 191 LBS at .039" 325 LBS at .039"
TPB6562w TPB6562 TPB6562h	65 x 62 (2.56) x (2.44)	16.5 (.65)	40 (1.57)	23.4 (.92)	15.5 (.61)	43 57 68	NR	1500 N at 1.2 mm 2500 N at 1.2 mm 3200 N at 1.2 mm	337 LBS at .047" 562 LBS at .047" 719 LBS at .047"
TPB8873w TPB8873 TPB8873h	88 x 73 (3.46) x (2.87)	24 (.94)	58.5 (2.30)	25.5 (1.00)	22 (.87)	43 57 68	NR	2500 N at 1.3 mm 3800 N at 1.3 mm 5500 N at 1.3 mm	562 LBS at .05" 854 LBS at .05" 1236 LBS at .05"
TPB12486w TPB12486 TPB12486h	124 x 86 (4.88) x (3.39)	27 (1.06)	63.5 (2.5)	31 (1.22)	32 (1.26)	43 57 68	NR	2500 N at 1.3 mm 3800 N at 1.3 mm 5500 N at 1.3 mm	562 LBS at .05" 854 LBS at .05" 1236 LBS at .05"