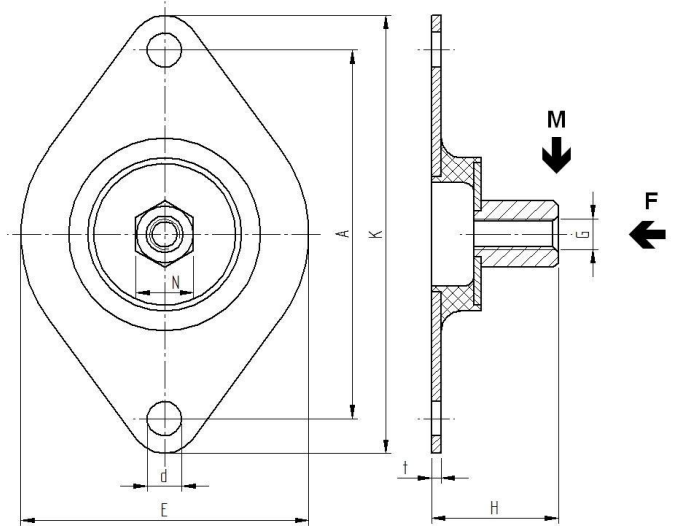
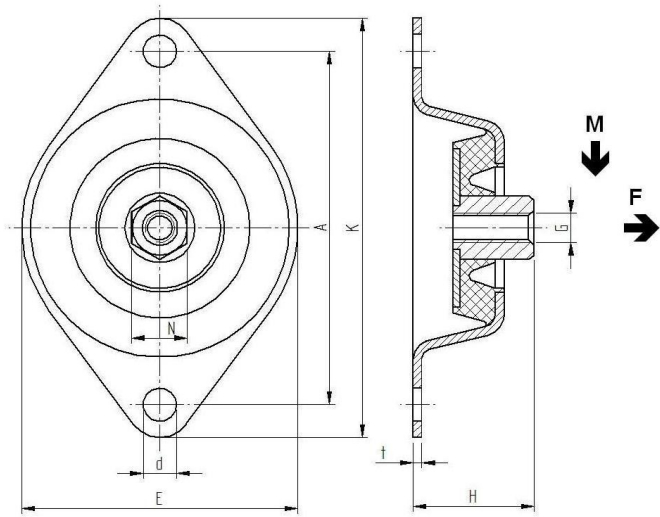


# HNG

HNG-UPPER

HNG-LOWER



Type	E	K	A	H	d	N	t	G
HNG-upper	75	114	96	33	9	15	1,5	M8
HNG-lower	75	114	96	33	9	15	1,5	M8

Type Load/terhelés	M-Max (kg)		F-Max (kg)	
	40° Sh	60° Sh	40° Sh	60° Sh
HNG-upper	14	25	30	70
HNG-lower	14	25	30	70

