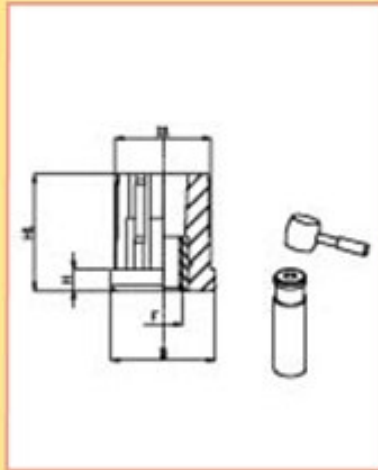


## PLUGS FOR ROUND TUBES



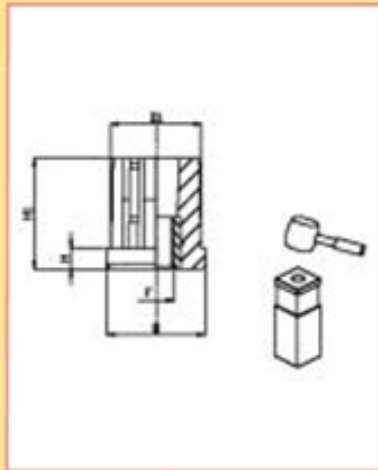
CODE	MAIN DIMENSIONS								STATIC LOAD Lbs.
	EXTERNAL	THICKNESS	INTERNAL	THREAD	D	D1	H	H1	
17000	30mm	1 mm	28 mm	M10	30	28.5	6	35	715
17001				M12	30	28.5	6	35	715
17002				M14	30	28.5	6	35	715
17003				M16	30	28.5	6	35	715
17004	38mm	1.5 mm	35 mm	M10	38	35.5	8	43	1235
17005				M12	38	35.5	8	43	1235
17006				M14	38	35.5	8	43	1235
17007				M16	38	35.5	8	43	1235
17008	42mm	1.5mm	39 mm	M10	42	39.5	8	42	1460
17009				M12	42	39.5	8	42	1460
17010				M14	42	39.5	8	42	1460
17011				M16	42	39.5	8	42	1460
17012				M20	42	39.5	8	42	1460
17013	48mm	1.5 mm	45 mm	M10	48	45.5	11	49	1795
17014				M12	48	45.5	11	49	1795
17015				M14	48	45.5	11	49	1795
17016				M16	48	45.5	11	49	1795
17017				M20	48	45.5	11	49	1795
17018	50mm	1.5 mm	47 mm	M12	50	47.5	11	49	1910
17019				M14	50	47.5	11	49	1910
17020				M16	50	47.5	11	49	1910
17021				M20	50	47.5	11	49	1910
17022	60mm	1.5 mm	57 mm	M14	60	57.5	12	50	2245
17023				M16	60	57.5	12	50	2245
17024				M20	60	57.5	12	50	2245
17025				M24	60	57.5	12	50	2245
17026	60mm	2 mm	56 mm	M14	60	56.5	12	50	2245
17027				M16	60	56.5	12	50	2245
17028				M20	60	56.5	12	50	2245
17029				M24	60	56.5	12	50	2245
17030	60mm	2.5 mm	55 mm	M14	60	55.5	12	50	2245
17031				M16	60	55.5	12	50	2245
17032				M20	60	55.5	12	50	2245
17033				M24	60	55.5	12	50	2245

**Material: polyamide reinforced with fiber glass. Threaded insert is nickel-plated brass.**

**Stainless steel insert is also available. To specify stainless steel insert, please add an "I" at the end of the product code. Ex. 17000I**

**Load values above refer to static conditions and are calculated at half of the screw length. In conditions of vibrations or in presence of dynamic loads, these values should be reduced. We cannot accept**

# PLUGS FOR SQUARE TUBES



CODE	MAIN DIMENSIONS								STATIC LOAD Lbs.
	EXTERNAL	THICKNESS	INTERNAL	THREAD	D	D1	H	H1	
17034	30x30	1.5 mm	27 mm	M10	30	27.5	6	33	1235
17035				M12					
17036				M14					
17037				M16					
17038	35x35	1.5 mm	32 mm	M10	35	32.5	8	43	1570
17039				M12					
17040				M14					
17041				M16					
17042				M20					
17043	40x40	1.5 mm	37 mm	M10	40	37.5	8	43	1795
17044				M12					
17045				M14					
17046				M16					
17047				M20					
17048	40x40	2 mm	36 mm	M10	40	36.5	8	43	1795
17049				M12					
17050				M14					
17051				M16					
17052				M20					
17053	50x50	1.5 mm	47 mm	M12	50	47.5	10	55	2135
17054				M14					
17055				M16					
17056				M20					
17057	50x50	2.5 mm	45 mm	M12	50	45.5	10	55	2135
17058				M14					
17059				M16					
17060				M20					

**Material: polyamide reinforced with fiber glass. Threaded insert is nickel-plated brass.**

**Stainless steel insert is also available. To specify stainless steel insert, please add an "I" at the end of the product code. Ex. 17000I**

**Load values above refer to static conditions and are calculated at half of the screw length. In conditions of vibrations or in presence of dynamic loads, these values should be reduced. We cannot accept responsibility for mounts that have been tampered or modified**