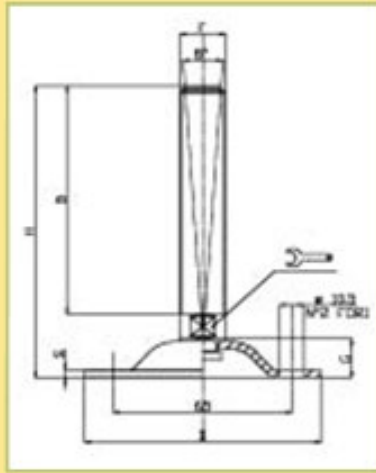



**STAINLESS STEEL PRESSED BASE (85mm/3.35in) WITH 2 FIXING HOLES
ARTICULATED STAINLESS STEEL SCREW 8°**



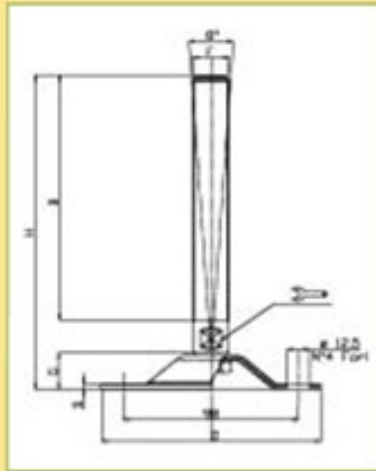
CODE	Description	MAIN DIMENSIONS							STATIC LOAD Lbs.
		S	B	D		F	G	H	
15688	M16X100	3	100	Ø 85	13	M16	13	121	2695
15690	M16X150	3	150	Ø 85	13	M16	13	171	2695
15692	M16X175	3	175	Ø 85	13	M16	13	196	2695
15694	M20X100	3	100	Ø 85	17	M20	13	136	2695
15696	M20X150	3	150	Ø 85	17	M20	13	180	2695
15698	M20X200	3	200	Ø 85	17	M20	13	237	2695

Material: stainless steel base AIS 304

Stainless steel screw AIS 304. The leveling mount can be supplied with steel nut upon request.

Load values mentioned above refer to static conditions calculated at half of the screw length. In conditions of vibrations or in presence of dynamic loads these values should be reduced. We cannot accept responsibility for mounts that have been tampered or modified.

STAINLESS STEEL PRESSED BASE (85mm/3.35in) WITH 4 FIXING HOLES ARTICULATED STAINLESS STEEL SCREW 8°



CODE	Description	MAIN DIMENSIONS							STATIC LOAD Lbs.
		S	B	D		F	G	H	
15700	M16X100	3	100	Ø 123	17	M16	20,5	134	4495
15702	M16X150	3	150	Ø 123	17	M16	20,5	184	4495
15704	M16X175	3	175	Ø 123	17	M16	20,5	209	4495
15706	M20X100	3	100	Ø 123	17	M20	20,5	134	4495
15708	M20X150	3	150	Ø 123	17	M20	20,5	184	4495
15710	M20X200	3	200	Ø 123	17	M20	20,5	234	4495
15712	M24X100	3	100	Ø 123	20	M24	20,5	134	4495
15714	M24X150	3	150	Ø 123	20	M24	20,5	184	4495
15716	M24X200	3	200	Ø 123	20	M24	20,5	234	4495
15718	M30X150	3	150	Ø 123	26	M30	20,5	185	4495
15720	M30X200	3	200	Ø 123	26	M30	20,5	235	4495
15722	M30X250	3	250	Ø 123	26	M30	20,5	285	4495

Material: stainless steel base AIS 304

Stainless steel screw AIS 304. The leveling mount can be supplied with steel nut upon request.

Load values mentioned above refer to static conditions calculated at half of the screw length. In conditions of vibrations or in presence of dynamic loads these values should be reduced. We cannot accept responsibility for mounts that have been tampered or modified.