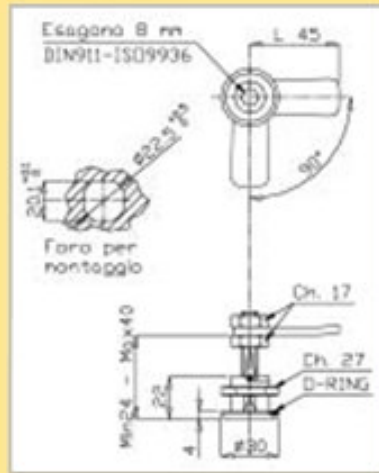


STAINLESS STEEL CLOSING SYSTEMS



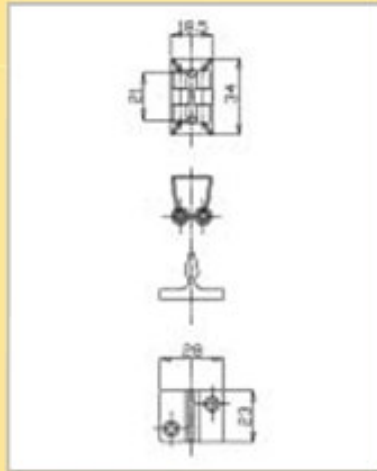
CODE	Description
70000	STAINLESS STEEL CLOSER 1/4 TURN (1-1/6" diameter)

Stainless steel closing system, 1/4 turn, with balancing spring. The closing thickness goes from a min. 15/16" to max 1-9/16" in.

Material:

- Body – AISI 304, 1-1/6" diameter
- Inside pivot for hexagon – AISI 304, 8 DIN 911
- Inside spring – AISI 301
- Nuts – AISI 304
- Closing Tongue – AISI 304

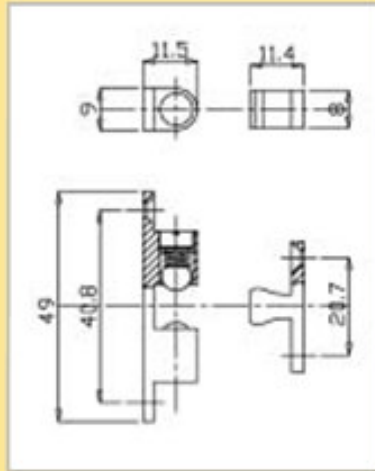
STAINLESS STEEL CLOSING SYSTEMS



CODE	Description
70010	Stainless Steel Door Closing System 34X19

Material - stainless steel AISI 304, white polyamide

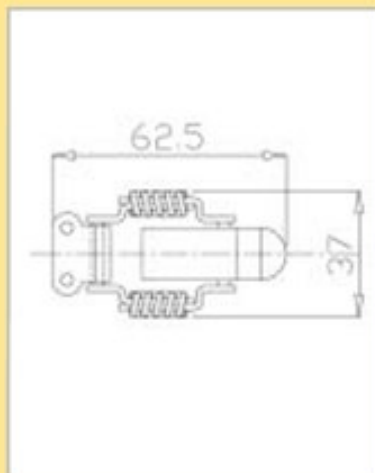
CLOSING SYSTEM



CODE	Description
70025	Nicke plated Brass Closing System 40X9

Closing system with double stainless steel spheres. Closing pressure can be regulated.

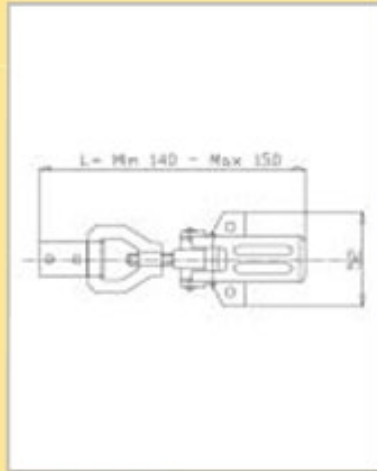
Material - Nickel Brass



CODE	Description
70030	STAINLESS STEEL CLOSING SYSTEM WITH ADJUSTABLE FORCE

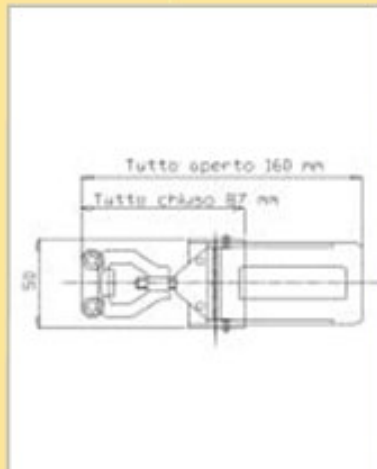
Material - Stainless steel AISI 304

STAINLESS STEEL CLOSING SYSTEMS



CODE	Description
70040	ADJUSTABLE STAINLESS STEEL CLOSING SYSTEM - MIN 140 MAX 150

Material - Stainless steel AISI 304



CODE	Description
70050	ADJUSTABLE STAINLESS STEEL CLOSING SYSTEM with HIDDEN HOLD

Material - Stainless steel AISI 304