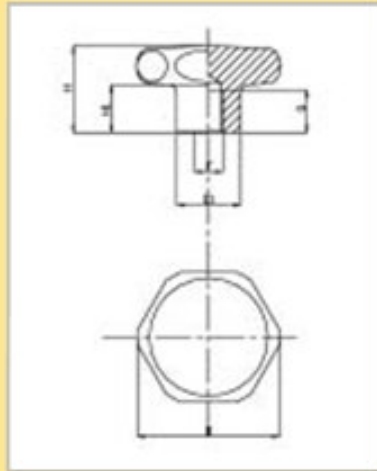
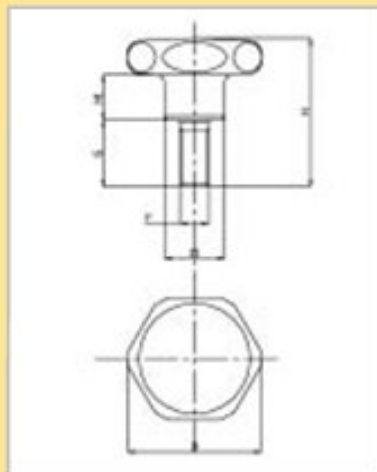


STAINLESS STEEL KNOBS



CODE	Description	MAIN DIMENSIONS					
		D	D1	H	H1	G	F
30000E/27	KNOB (Diameter 1")	27	15	19	10	10	M5
30010E/33	KNOB (Diameter 1.3")	33	19	23	12	12	M6
30020E/40	KNOB (Diameter 1.5")	40	21	27	15	13	M8
30030E/50	KNOB (Diameter 2")	50	25	33	17,5	17	M10
30040E/60	KNOB (Diameter 2.35")	60	27	37	20	20	M12

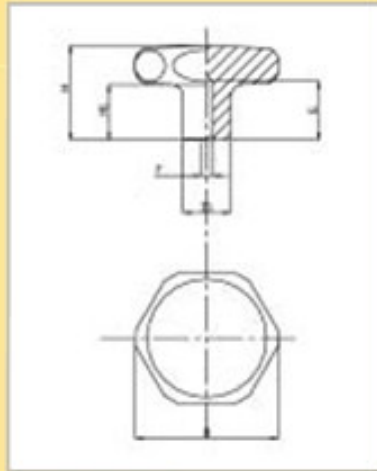


CODE	Description	MAIN DIMENSIONS					
		D	D1	H	H1	G	F
30060E/27	KNOB (Diameter 1")	27	15	30	10	10	M6
30070E/33	KNOB (Diameter 1.3")	33	19	43	11	20	M8
30080E/40	KNOB (Diameter 1.5")	40	21	47	15	20	M8
30090E/50	KNOB (Diameter 2")	50	25	63	17,5	30	M10
30100E/60	KNOB (Diameter 2.35")	60	27	77	20	40	M12

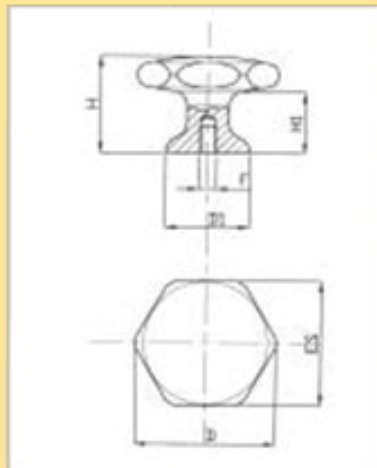
Material - AISI 304 (AISI 316 upon request). Polished surface (sandblasted treatment on request).

Applications: pharmaceutical, chemical, food, wine and packaging industry.

STAINLESS STEEL KNOBS



CODE	Description	MAIN DIMENSIONS					
		D	D1	H	H1	G	F
30000/40	KNOB (Diameter 1.5")	40	14	25	12,5	18	5
30010/50	KNOB (Diameter 2")	50	18	32	17,5	21	5
30020/60	KNOB (Diameter 2.35")	60	20	40	20	25	5
30030/65	KNOB (Diameter 2.35")	65	20	40	20	25	5



CODE	Description	MAIN DIMENSIONS					
		D	D1	ES	F	H	H1
30005/27SL20	KNOB (Diameter 1")	27	15	24	M5	20	13
30010E/33SL24	KNOB (Diameter 1.3")	33	19	30	M5	24	13
30020E/40SL28	KNOB (Diameter 1.5")	40	24	36	M5	28	16
30030E/50SL30	KNOB (Diameter 2")	50	24	46	M5	30	16
30050E/65SL40	KNOB (Diameter 2.35")	65	31	60	M5	40	24

Material - AISI 304 (AISI 316 upon request). Polished surface (sandblasted treatment on request).

Applications: pharmaceutical, chemical, food, wine and packaging industry.