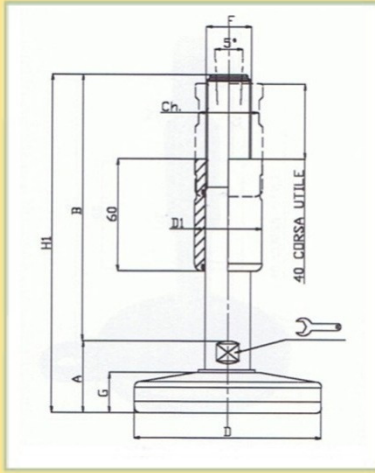



**TEKNOCLEAN WITH STAINLESS STEEL BASE  
- MEDIUM LOAD -**



CODE	REGULATION STROKE	MAIN DIMENSIONS									STATIC LOAD Lbs
		A	B	D		D1	F	G	CH	H1	
15298	40mm	28	125	75	16	25	M16	18	20	153	4495
15299	40mm	38	150	100	17	25	M16	23	20	188	6740
15300	40mm	38	150	100	17	30	M20	23	26	188	6740
15301	40mm	38	150	100	20	35	M24	23	30	188	6740
15302	40mm	38	150	100	26	42	M30	23	36	188	6740
15303	40mm	38	150	120	17	30	M20	23	26	188	8990
15304	40mm	38	150	120	20	35	M24	23	30	188	8990
15305	40mm	38	150	120	26	42	M30	23	36	188	8990
15306	40mm	44	150	150	17	30	M20	23	26	194	11,240
15307	40mm	44	150	150	20	35	M24	23	30	194	11,240
15308	40mm	44	150	150	26	42	M30	23	30	194	11,240

Designed for dairy, pharmaceutical and food industries which require the strictest hygienic regulations. The bushing is provided with a gasket, which by adhering to the smooth surface of the screw avoids any intrusion of dirt.

Material: stainless steel AISI 304 (AISI 316 available upon request)  
Anti slip pad NBR 90 Shore. On request white E.P.D.M. (high resistance against solvents and chemical degreasers)

Load values mentioned above refer to static conditions calculated at half of the screw length. In conditions of vibrations or in presence of dynamic loads these values should be reduced. We cannot accept responsibility for mounts that have been tampered or modified.