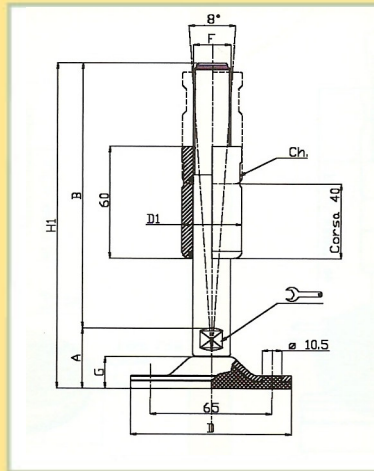
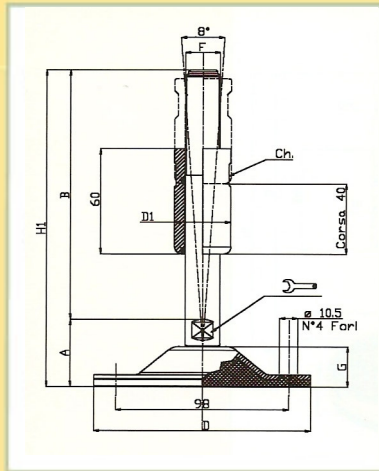


TEKNOCLEAN WITH STAINLESS STEEL PRESSED BASE AND VULCANIZED RUBBER (3.35in/4.84in)



CODE	REGULATION STROKE	MAIN DIMENSIONS									STATIC LOAD Lbs
		A	B	D	D1	F	G	CH	H1		
15800/V	40mm	31	125	85	17	25	M16	17	20	156	2695
15802/V	40mm	31	150	85	17	25	M16	17	20	181	2695
15804/V	40mm	31	150	85	17	30	M20	17	26	181	2695
15806/V	40mm	36	150	123	17	25	M16	23	20	186	4495
15808/V	40mm	36	150	123	17	30	M20	23	26	186	4495
15810/V	40mm	36	150	123	20	35	M24	23	30	186	4495
15812/V	40mm	36	150	123	26	42	M30	23	36	186	4495

Material: Stainless steel base AISI 304.

Pad: vulcanized rubber NBR 80 shore

Stainless steel screw: AISI 304