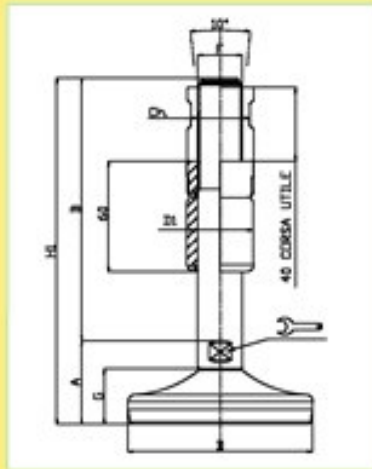
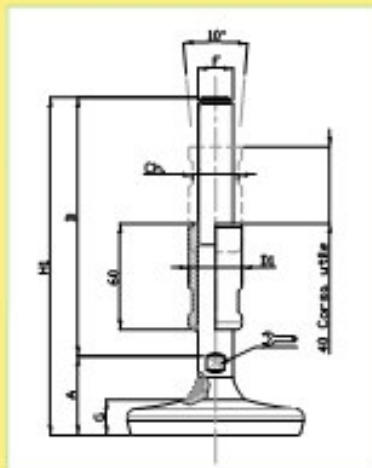


**TEKNOCLEAN WITH STAINLESS STEEL BASE AND VULCANIZED RUBBER
(3.15in/3.94in) APPROVED USDA**



CODE	REGULATION STROKE	MAIN DIMENSIONS									STATIC LOAD Lbs
		A	B	D	🔑	D1	F	G	CH	H1	
27000	40mm	38	125	80	17	25	M16	25	20	163	2245
27002	40mm	38	150	80	17	25	M16	25	20	188	2245
27004	40mm	38	150	80	17	30	M20	25	26	188	2245
27020	40mm	43	150	100	17	25	M16	30	20	193	3370
27022	40mm	43	150	100	17	30	M20	30	26	193	3370
27024	40mm	44	150	100	20	35	M24	30	30	194	3370
27026	40mm	44	150	100	26	42	M30	30	36	194	3370



CODE	REGULATION STROKE	MAIN DIMENSIONS									STATIC LOAD Lbs
		A	B	D	🔑	D1	F	G	CH	H1	
27002/US	40mm	45	143	80	13	25	M16	30	20	188	2245
27004/US	40mm	45	143	80	17	30	M20	30	26	188	2245
27020/US	40mm	50	144	100	13	25	M16	35	20	193	3370
27022/US	40mm	50	144	100	17	30	M20	35	26	193	3370
27024/US	40mm	50	144	100	20	35	M24	35	30	194	3370

New Teknoclean with EPDM gray rubber gasket for applications that require the strictest hygienic regulations.