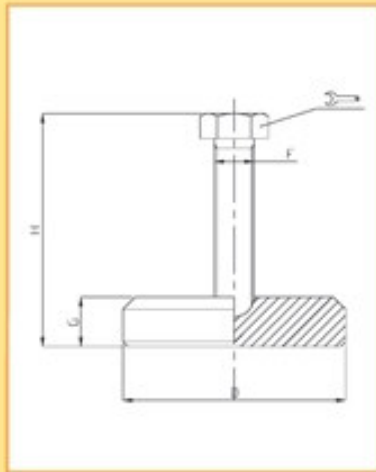



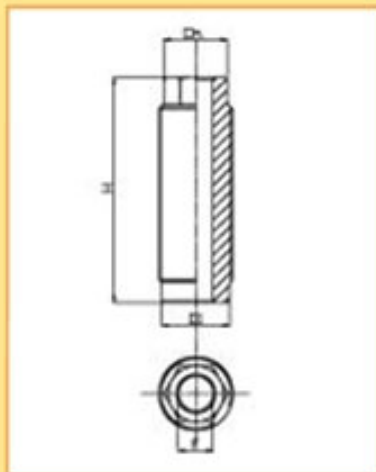
## GALVANIZED STEEL FOOT (90mm)




CODE	D		F	G	H	H1	STATIC LOAD Lbs.
12345	90	24	16	20	60	94	7865
12347	90	24	16	20	80	104	7865

Galvanized steel base. Burnished screw

## STEEL ADJUSTING SCREWS



CODE	BASE DIMENSION	H		D1	F	STATIC LOAD Lbs.
19080Z	GALVANIZED SCREW M24X2	105	24	20,5	13,2	11240
19090Z	GALVANIZED SCREW M24X2	160	24	20,5	13,2	11240
19080B	BURNISHED SCREW M24X2	105	24	20,5	13,2	11240
19090B	BURNISHED SCREW M24X2	160	24	20,5	13,2	11240
19100Z	GALVANIZED SCREW M30X2	110	24	27	17	15735
19101Z	GALVANIZED SCREW M36X2	110	27	33	17	20230
19100B	BURNISHED SCREW M30X2	110	24	27	17	15735
19101B	BURNISHED SCREW M36X2	110	27	33	17	20230

**Material:** galvanized steel

**Application:** machine tools, machine beds

Load values above refer to static conditions calculated at half of the screw length. In conditions of vibrations or in the presence of dynamic loads these values should be reduced. We cannot accept responsibility for mounts that have been tampered or modified