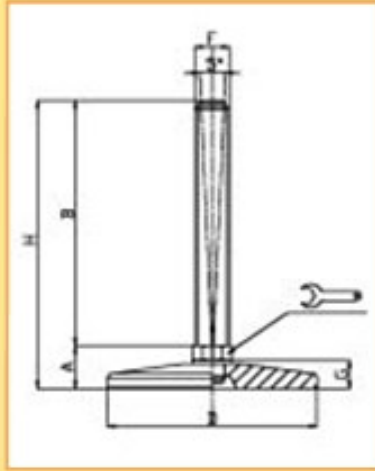



GALVANIZED STEEL BASE (50&63mm/2&2.5in) WITH ARTICULATED STEEL SCREW 5°- MEDIUM LOAD



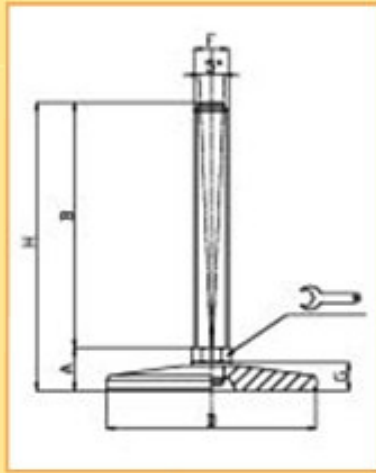
| CODE | | Description | MAIN DIMENSIONS | | | | | | | STATIC LOAD Lbs. |
|----------|------------|-------------|-----------------|-----|----|---|-----|------|-----|---------------------|
| Standard | Antislip | | A | B | D |  | F | G | H | |
| 15400 | 15400/G | M10X50 | 19 | 50 | 50 | 14 | M10 | 11.5 | 69 | 3370 |
| 15401 | 15401/G | M10X100 | 19 | 100 | 50 | 14 | M10 | 11.5 | 119 | 3370 |
| 15402 | 15402/G | M12X50 | 19 | 50 | 50 | 14 | M12 | 11.5 | 69 | 3370 |
| 15403 | 15403/G | M12X100 | 19 | 100 | 50 | 14 | M12 | 11.5 | 119 | 3370 |
| 15404 | 15404/G | M12X125 | 19 | 125 | 50 | 14 | M12 | 11.5 | 144 | 3370 |
| 15402/14 | 15402/14/G | M14X50 | 19 | 50 | 50 | 14 | M14 | 11.5 | 69 | 3370 |
| 15403/14 | 15403/14/G | M14X100 | 19 | 100 | 50 | 14 | M14 | 11.5 | 119 | 3370 |
| 15404/14 | 15404/14/G | M14X125 | 19 | 125 | 50 | 14 | M14 | 11.5 | 144 | 3370 |
| 15405 | 15405/G | M10X50 | 19 | 50 | 63 | 14 | M10 | 11.5 | 69 | 4045 |
| 15406 | 15406/G | M10X100 | 19 | 100 | 63 | 14 | M10 | 11.5 | 119 | 4045 |
| 15407 | 15407/G | M12X50 | 19 | 50 | 63 | 14 | M12 | 11.5 | 69 | 4045 |
| 15408 | 15408/G | M12X100 | 19 | 100 | 63 | 14 | M12 | 11.5 | 119 | 4045 |
| 15409 | 15409/G | M12X125 | 19 | 125 | 63 | 14 | M12 | 11.5 | 144 | 4045 |
| 15410 | 15410/G | M14X50 | 19 | 50 | 63 | 14 | M14 | 11.5 | 69 | 4045 |
| 15411 | 15411/G | M14X100 | 19 | 100 | 63 | 14 | M14 | 11.5 | 119 | 4045 |
| 15412 | 15412/G | M14X125 | 19 | 125 | 63 | 14 | M14 | 11.5 | 169 | 4045 |
| 15410/16 | 15410/16/G | M16X50 | 19 | 50 | 63 | 14 | M16 | 11.5 | 69 | 4045 |
| 15411/16 | 15411/16/G | M16X100 | 19 | 100 | 63 | 14 | M16 | 11.5 | 119 | 4045 |
| 15412/16 | 15412/16/G | M16X125 | 19 | 125 | 63 | 14 | M16 | 11.5 | 169 | 4045 |


Code “/G”: black antislip pad NBR 70 Shore H6

Galvanized steel base (C40). Non-skid plate in NBR rubber 80 shore is available upon request. Articulated galvanized steel screw. The leveling mount can be supplied with steel nut upon request.

Load values mentioned above refer to static conditions calculated at half of the screw length. In conditions of vibrations or in presence of dynamic loads these values should be reduced. We cannot accept responsibility for mounts that have been tampered or modified.

**GALVANIZED STEEL BASE (80mm/3.15in)
WITH ARTICULATED STEEL SCREW 5°- MEDIUM LOAD**



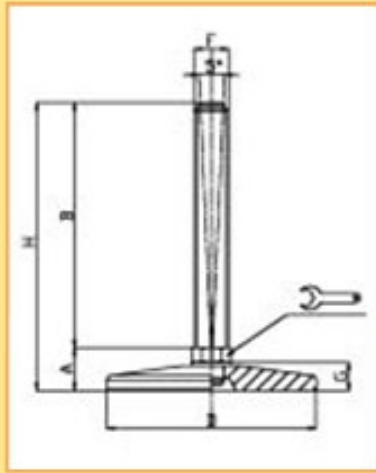
| CODE | | Description | MAIN DIMENSIONS | | | | | | | STATIC LOAD Lbs. |
|----------|------------|-------------|-----------------|-----|----|---|-----|------|-----|---------------------|
| Standard | Antislip | | A | B | D |  | F | G | H | |
| 15413/10 | 15413/10/G | M10X50 | 19 | 50 | 80 | 14 | M10 | 11.5 | 69 | 4495 |
| 15414/10 | 15414/10/G | M10X100 | 19 | 100 | 80 | 14 | M10 | 11.5 | 119 | 4495 |
| 15413/12 | 15413/12/G | M12X50 | 19 | 50 | 80 | 14 | M12 | 11.5 | 69 | 4495 |
| 15414/12 | 15414/12/G | M12X100 | 19 | 100 | 80 | 14 | M12 | 11.5 | 119 | 4495 |
| 15413 | 15413/G | M14X50 | 19 | 50 | 80 | 14 | M14 | 11.5 | 69 | 4495 |
| 15414 | 15414/G | M14X100 | 19 | 100 | 80 | 14 | M14 | 11.5 | 119 | 4495 |
| 15415 | 15415/G | M14X150 | 19 | 150 | 80 | 14 | M14 | 11.5 | 169 | 4495 |
| 15416 | 15416/G | M16X75 | 19 | 75 | 80 | 16 | M16 | 11.5 | 94 | 4495 |
| 15417 | 15417/G | M16X100 | 19 | 100 | 80 | 16 | M16 | 11.5 | 119 | 4495 |
| 15418 | 15418/G | M16X150 | 19 | 150 | 80 | 16 | M16 | 11.5 | 169 | 4495 |
| 15419 | 15419/G | M20X75 | 19 | 75 | 80 | 20 | M20 | 11.5 | 94 | 5620 |
| 15420 | 15420/G | M20X125 | 19 | 125 | 80 | 20 | M20 | 11.5 | 144 | 5620 |
| 15421 | 15421/G | M20X175 | 19 | 175 | 80 | 20 | M20 | 11.5 | 194 | 5620 |


Code "/G": black antislip pad NBR 70 Shore H6

Galvanized steel base (C40). Non-skid plate in NBR rubber 80 shore is available upon request. Articulated galvanized steel screw. The leveling mount can be supplied with steel nut upon request.

Load values mentioned above refer to static conditions calculated at half of the screw length. In conditions of vibrations or in presence of dynamic loads these values should be reduced. We cannot accept responsibility for mounts that have been tampered or modified.

**GALVANIZED STEEL BASE (100mm/3.9in)
WITH ARTICULATED STEEL SCREW 5°- MEDIUM LOAD**



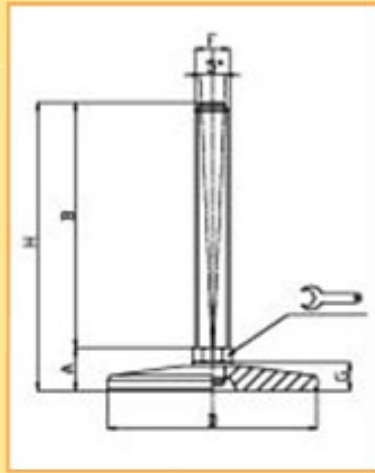
| CODE | | Description | MAIN DIMENSIONS | | | | | | | STATIC LOAD Lbs. |
|----------|----------|-------------|-----------------|-----|-----|---|-----|----|-----|---------------------|
| Standard | Antislip | | A | B | D |  | F | G | H | |
| 15422 | 15422/G | M16X75 | 25 | 75 | 100 | 20 | M16 | 16 | 100 | 6740 |
| 15423 | 15423/G | M16X100 | 25 | 100 | 100 | 20 | M16 | 16 | 125 | 6740 |
| 15424 | 15424/G | M16X150 | 25 | 150 | 100 | 20 | M16 | 16 | 175 | 6740 |
| 15425 | 15425/G | M20X75 | 25 | 75 | 100 | 20 | M20 | 16 | 100 | 6740 |
| 15426 | 15426/G | M20X125 | 25 | 125 | 100 | 20 | M20 | 16 | 150 | 6740 |
| 15427 | 15427/G | M20X175 | 25 | 175 | 100 | 20 | M20 | 16 | 200 | 6740 |
| 15428 | 15428/G | M24X100 | 25 | 100 | 100 | 24 | M24 | 16 | 125 | 7865 |
| 15429 | 15429/G | M24X150 | 25 | 150 | 100 | 24 | M24 | 16 | 175 | 7865 |
| 15430 | 15430/G | M24X200 | 25 | 200 | 100 | 24 | M24 | 16 | 225 | 7865 |
| 15431 | 15431/G | M30X125 | 26 | 125 | 100 | 30 | M30 | 16 | 151 | 7865 |
| 15432 | 15432/G | M30X175 | 26 | 175 | 100 | 30 | M30 | 16 | 201 | 7865 |
| 15433 | 15433/G | M30X225 | 26 | 225 | 100 | 30 | M30 | 16 | 251 | 7865 |

Code "/G": black antislip pad NBR 70 Shore H6

Galvanized steel base (C40). Non-skid plate in NBR rubber 80 shore is available upon request. Articulated galvanized steel screw. The leveling mount can be supplied with steel nut upon request.

Load values mentioned above refer to static conditions calculated at half of the screw length. In conditions of vibrations or in presence of dynamic loads these values should be reduced. We cannot accept responsibility for mounts that have been tampered or modified.

**GALVANIZED STEEL BASE (120mm/4.7in)
WITH ARTICULATED STEEL SCREW 5°- MEDIUM LOAD**



| CODE | | Description | MAIN DIMENSIONS | | | | | | | STATIC LOAD Lbs. |
|----------|----------|-------------|-----------------|-----|-----|---|-----|----|-----|---------------------|
| Standard | Antislip | | A | B | D |  | F | G | H | |
| 15434 | 15434/G | M16X75 | 25 | 75 | 120 | 20 | M16 | 16 | 100 | 7865 |
| 15435 | 15435/G | M16X100 | 25 | 100 | 120 | 20 | M16 | 16 | 125 | 7865 |
| 15436 | 15436/G | M16X150 | 25 | 150 | 120 | 20 | M16 | 16 | 175 | 7865 |
| 15437 | 15437/G | M20X75 | 25 | 75 | 120 | 20 | M20 | 16 | 100 | 8990 |
| 15438 | 15438/G | M20X125 | 25 | 125 | 120 | 20 | M20 | 16 | 150 | 8990 |
| 15439 | 15439/G | M20X175 | 25 | 175 | 120 | 20 | M20 | 16 | 200 | 8990 |
| 15440 | 15440/G | M24X100 | 25 | 100 | 120 | 24 | M24 | 16 | 125 | 10115 |
| 15441 | 15441/G | M24X150 | 25 | 150 | 120 | 24 | M24 | 16 | 175 | 10115 |
| 15442 | 15442/G | M24X200 | 25 | 200 | 120 | 24 | M24 | 16 | 225 | 10115 |
| 15443 | 15443/G | M30X125 | 26 | 125 | 120 | 30 | M30 | 16 | 151 | 10115 |
| 15444 | 15444/G | M30X175 | 26 | 175 | 120 | 30 | M30 | 16 | 201 | 10115 |
| 15445 | 15445/G | M30X225 | 26 | 225 | 120 | 30 | M30 | 16 | 251 | 10115 |

Code "/G": black antislip pad NBR 70 Shore H6

Galvanized steel base (C40). Non-skid plate in NBR rubber 80 shore is available upon request. Articulated galvanized steel screw. The leveling mount can be supplied with steel nut upon request.

Load values mentioned above refer to static conditions calculated at half of the screw length. In conditions of vibrations or in presence of dynamic loads these values should be reduced. We cannot accept responsibility for mounts that have been tampered or modified.