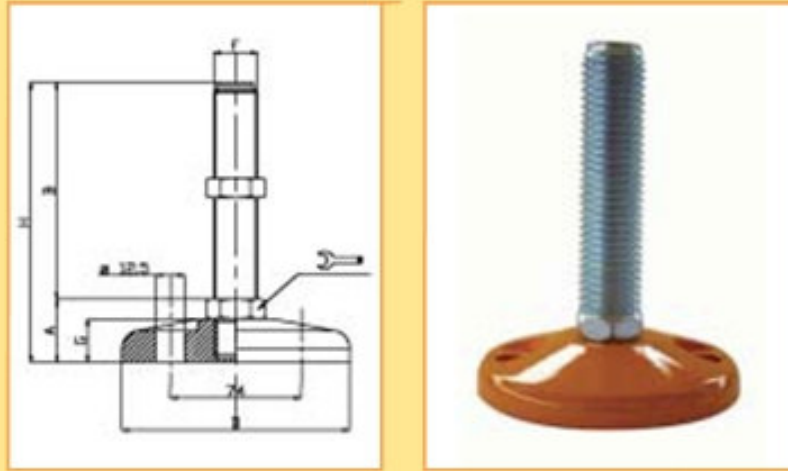



**YELLOW PAINTED STEEL BASE (100mm/3.9in) WITH FIXING HOLES  
FIXED STEEL SCREW  
HEAVY LOADS**



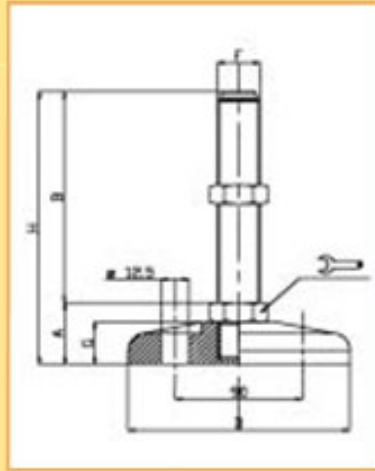
CODE		Description	MAIN DIMENSIONS							STATIC LOAD Lbs.
Standard	Antislip		A	B	D		F	G	H	
12090	12090/G	M16X100	29	100	100	24	M16	20	129	7865
12094	12094/G	M16X150	29	150	100	24	M16	20	179	7865
12098	12098/G	M16X200	29	200	100	24	M16	20	229	7865
12146	12146/G	M20X100	29	100	100	24	M20	20	129	8990
12150	12150/G	M20X150	29	150	100	24	M20	20	179	8990
12154	12154/G	M20X200	29	200	100	24	M20	20	229	8990
12158	12158/G	M20X250	29	250	100	24	M20	20	279	8990
12202	12202/G	M24X100	29	100	100	24	M24	20	129	10115
12206	12206/G	M24X150	29	150	100	24	M24	20	179	10115
12210	12210/G	M24X200	29	200	100	24	M24	20	229	10115
12214	12214/G	M24X250	29	250	100	24	M24	20	279	10115


Code “/G”: black antislip pad NBR 70 Shore H6 undrilled

**Yellow painted steel base. Non-skid plate in NBR rubber 70 shore is available upon request. Galvanized steel screw. The leveling mount can be supplied with steel nut upon request.**

**Load values mentioned above refer to static conditions calculated at half of the screw length. In conditions of vibrations or in presence of dynamic loads these values should be reduced. We cannot accept responsibility for mounts that have been tampered or modified.**

**YELLOW PAINTED STEEL BASE (120mm/4.75in) WITH FIXING HOLES  
FIXED STEEL SCREW  
HEAVY LOADS**



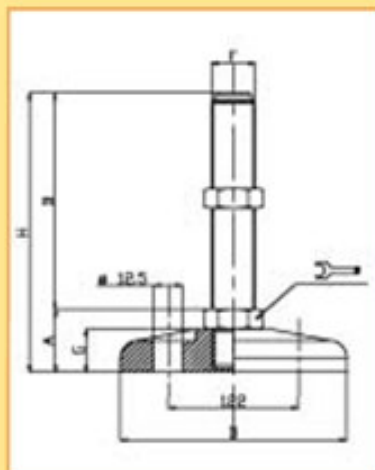
CODE		Description	MAIN DIMENSIONS							STATIC LOAD Lbs.
Standard	Antislip		A	B	D		F	G	H	
12314	12314/G	M20X100	31	100	120	24	M20	22	131	10115
12318	12318/G	M20X150	31	150	120	24	M20	22	181	10115
12322	12322/G	M20X200	31	200	120	24	M20	22	231	10115
12326	12326/G	M20X250	31	250	120	24	M20	22	281	10115
12370	12370/G	M24X100	31	100	120	24	M24	22	131	11240
12374	12374/G	M24X150	31	150	120	24	M24	22	181	11240
12378	12378/G	M24X200	31	200	120	24	M24	22	231	11240
12382	12382/G	M24X250	31	250	120	24	M24	22	281	11240
12370/30	12370/30/G	M30X100	31	100	120	30	M30	22	131	13485
12374/30	12374/30/G	M30X150	31	150	120	30	M30	22	181	13485
12378/30	12378/30/G	M30X200	31	200	120	30	M30	22	231	13485
12382/30	12382/30/G	M30X250	31	250	120	30	M30	22	281	13485

Code “/G”: black antislip pad NBR 70 Shore H6 undrilled

**Yellow painted steel base. Non-skid plate in NBR rubber 70 shore is available upon request. Galvanized steel screw. The leveling mount can be supplied with steel nut upon request.**

**Load values mentioned above refer to static conditions calculated at half of the screw length. In conditions of vibrations or in presence of dynamic loads these values should be reduced. We cannot accept responsibility for mounts that have been tampered or modified.**

# YELLOW PAINTED STEEL BASE (159mm/6.25in) WITH FIXING HOLES FIXED STEEL SCREW HEAVY LOADS



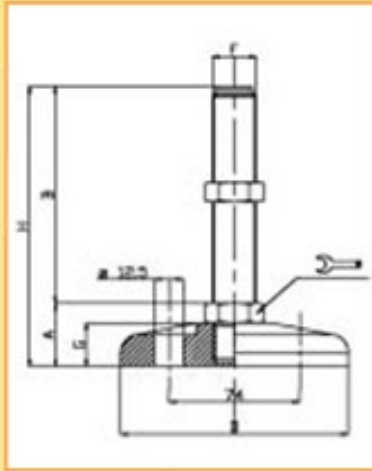
CODE		Description	MAIN DIMENSIONS							STATIC LOAD Lbs.
Standard	Antislip		A	B	D		F	G	H	
12426	12426/G	M20X100	32	100	159	24	M20	23	132	11240
12430	12430/G	M20X150	32	150	159	24	M20	23	182	11240
12434	12434/G	M20X200	32	200	159	24	M20	23	232	11240
12438	12438/G	M20X250	32	250	159	24	M20	23	282	11240
12482	12482/G	M24X100	32	100	159	24	M24	23	132	13485
12486	12486/G	M24X150	32	150	159	24	M24	23	182	13485
12490	12490/G	M24X200	32	200	159	24	M24	23	232	13485
12494	12494/G	M24X250	32	250	159	24	M24	23	282	13485
12538	12538/G	M30X100	32	100	159	30	M30	23	132	15735
12542	12542/G	M30X150	32	150	159	30	M30	23	182	15735
12546	12546/G	M30X200	32	200	159	30	M30	23	232	15735
12550	12550/G	M30X250	32	250	159	30	M30	23	282	15735


Code “/G”: black antislip pad NBR 70 Shore H6 undrilled

**Yellow painted steel base. Non-skid plate in NBR rubber 70 shore is available upon request. Galvanized steel screw. The leveling mount can be supplied with steel nut upon request.**

**Load values mentioned above refer to static conditions calculated at half of the screw length. In conditions of vibrations or in presence of dynamic loads these values should be reduced. We cannot accept responsibility for mounts that have been tampered or modified.**

# GALVANIZED STEEL BASE (100mm/3.9in) WITH FIXING HOLES FIXED STEEL SCREW HEAVY LOADS



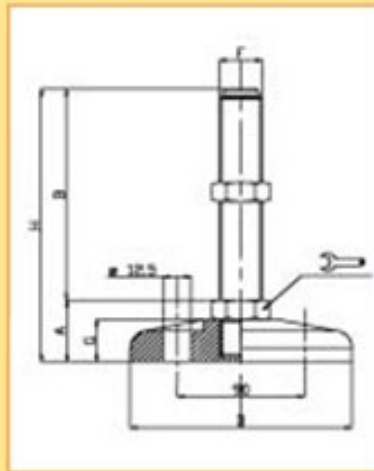
CODE		Description	MAIN DIMENSIONS							STATIC LOAD Lbs.
Standard	Antislip		A	B	D		F	G	H	
12118	12118/G	M16X100	29	100	100	24	M16	20	129	7865
12122	12122/G	M16X150	29	150	100	24	M16	20	179	7865
12126	12126/G	M16X200	29	200	100	24	M16	20	229	7865
12174	12174/G	M20X100	29	100	100	24	M20	20	129	8990
12178	12178/G	M20X150	29	150	100	24	M20	20	179	8990
12182	12182/G	M20X200	29	200	100	24	M20	20	229	8990
12186	12186/G	M20X250	29	250	100	24	M20	20	279	8990
12230	12230/G	M24X100	29	100	100	24	M24	20	129	10115
12234	12234/G	M24X150	29	150	100	24	M24	20	179	10115
12238	12238/G	M24X200	29	200	100	24	M24	20	229	10115
12242	12242/G	M24X250	29	250	100	24	M24	20	279	10115

Code "/G": black antislip pad NBR 70 Shore H6 undrilled

Galvanized steel base (C40). Non-skid plate in NBR rubber 70 shore is available upon request. Galvanized steel screw. The leveling mount can be supplied with steel nut upon request.

Load values mentioned above refer to static conditions calculated at half of the screw length. In conditions of vibrations or in presence of dynamic loads these values should be reduced. We cannot accept responsibility for mounts that have been tampered or modified.

# GALVANIZED STEEL BASE (120mm/4.75in) WITH FIXING HOLES FIXED STEEL SCREW HEAVY LOADS



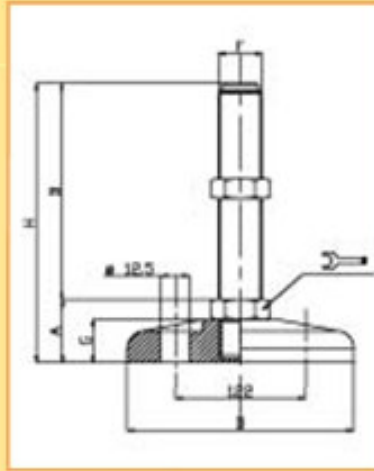
CODE		Description	MAIN DIMENSIONS							STATIC LOAD Lbs.
Standard	Antislip		A	B	D		F	G	H	
12342	12342/G	M20X100	31	100	120	24	M20	22	131	10115
12346	12346/G	M20X150	31	150	120	24	M20	22	181	10115
12350	12350/G	M20X200	31	200	120	24	M20	22	231	10115
12354	12354/G	M20X250	31	250	120	24	M20	22	281	10115
12398	12398/G	M24X100	31	100	120	24	M24	22	131	11240
12402	12402/G	M24X150	31	150	120	24	M24	22	181	11240
12406	12406/G	M24X200	31	200	120	24	M24	22	231	11240
12410	12410/G	M24X250	31	250	120	24	M24	22	281	11240
12398/30	12398/30/G	M30X100	31	100	120	30	M30	22	131	13485
12402/30	12402/30/G	M30X150	31	150	120	30	M30	22	181	13485
12406/30	12406/30/G	M30X200	31	200	120	30	M30	22	231	13485
12410/30	12410/30/G	M30X250	31	250	120	30	M30	22	281	13485


Code “/G”: black antislip pad NBR 70 Shore H6 undrilled

Galvanized steel base (C40). Non-skid plate in NBR rubber 70 shore is available upon request. Galvanized steel screw. The leveling mount can be supplied with steel nut upon request.

Load values mentioned above refer to static conditions calculated at half of the screw length. In conditions of vibrations or in presence of dynamic loads these values should be reduced. We cannot accept responsibility for mounts that have been tampered or modified.

# GALVANIZED STEEL BASE (159mm/6.25in) WITH FIXING HOLES FIXED STEEL SCREW HEAVY LOADS



CODE		Description	MAIN DIMENSIONS							STATIC LOAD Lbs.
Standard	Antislip		A	B	D		F	G	H	
12454	12454/G	M20X100	32	100	159	24	M20	23	132	11240
12458	12458/G	M20X150	32	150	159	24	M20	23	182	11240
12462	12462/G	M20X200	32	200	159	24	M20	23	232	11240
12466	12466/G	M20X250	32	250	159	24	M20	23	282	11240
12510	12510/G	M24X100	32	100	159	24	M24	23	132	13485
12514	12514/G	M24X150	32	150	159	24	M24	23	182	13485
12518	12518/G	M24X200	32	200	159	24	M24	23	232	13485
12522	12522/G	M24X250	32	250	159	24	M24	23	282	13485
12566	12566/G	M30X100	32	100	159	30	M30	23	132	15735
12570	12570/G	M30X150	32	150	159	30	M30	23	182	15735
12574	12574/G	M30X200	32	200	159	30	M30	23	232	15735
12578	12578/G	M30X250	32	250	159	30	M30	23	282	15735

Code "/G": black antislip pad NBR 70 Shore H6 undrilled

Galvanized steel base (C40). Non-skid plate in NBR rubber 70 shore is available upon request. Galvanized steel screw. The leveling mount can be supplied with steel nut upon request.

Load values mentioned above refer to static conditions calculated at half of the screw length. In conditions of vibrations or in presence of dynamic loads these values should be reduced. We cannot accept responsibility for mounts that have been tampered or modified.