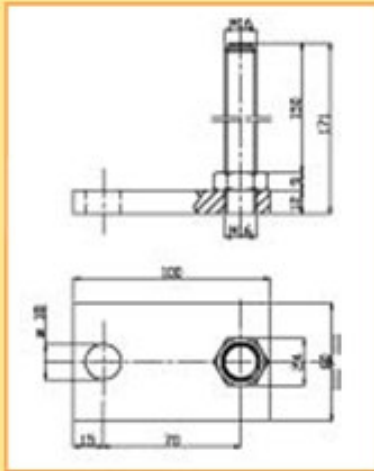
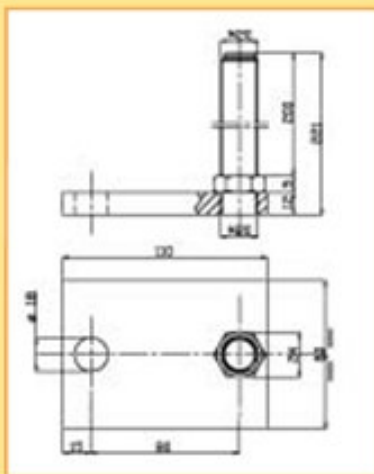



STEEL RECTANGULAR FOOT WITH FIXING HOLE



CODE	BASE DIMENSION	SCREW DIMENSION		F	STATIC LOAD Lbs.
19000	100X60 H12	M16X150	24	M16	6740



CODE	BASE DIMENSION	SCREW DIMENSION		F	STATIC LOAD Lbs.
19001	110X80 H12	M20X200	24	M20	8990

Galvanized steel base (C40).

Galvanized steel screw. The leveling mount can be supplied with steel nut upon request.

Load values mentioned above refer to static conditions calculated at half of the screw length. In conditions of vibrations or in presence of dynamic loads these values should be reduced. We cannot accept responsibility for mounts that have been tampered or modified.