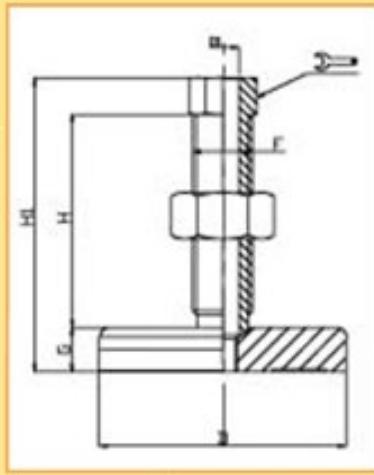


TEKNOFIX

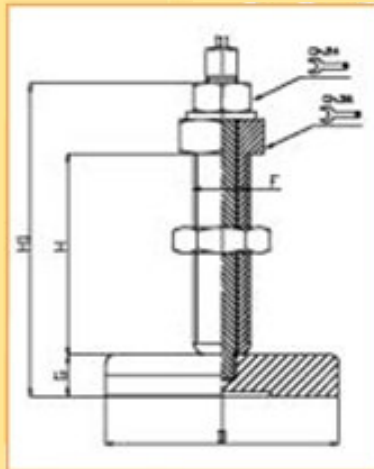


CODE	MAIN DIMENSIONS							STATIC LOAD Lbs.	
	Standard	D	D1		F	G	H		H1
12620 V		100	13.2	24	M24X2	18	161	176	13485
12620 F		100	13.2	24	M24X2	18	161	176	13485
12621 V		100	13.2	24	M24X2	18	105	120	13485
12621 F		100	13.2	24	M24X2	18	105	120	13485
12623 V		150	22	41	M35X2	25	100	140	20230
12623 F		150	22	41	M35X2	25	100	140	20230
12624 V		150	22	41	M36X2	25	100	140	20230
12624 F		150	22	41	M36X2	25	100	140	20230
12625 V		150	22	41	M35X2	25	178	218	20230
12625 F		150	22	41	M35X2	25	178	218	20230

"V" code = surface finishing: yellow painted

"F" code = surface finishing: phosphated

TEKNOFIX CNC



CODE	MAIN DIMENSIONS							STATIC LOAD Lbs.	
	Standard	D	D1	CH1/CH2	F	G	H		H1
12622		80	16	24 36	M30X2	20	75	126	15735
12627		68	12	19 27	M27X2	25	78	134	14610

Material of the drilled screw: galvanized / burnished steel

Application: assembling machines. machine tools. automation-lines

Load values mentioned above refer to static conditions calculated at half of the screw length. In conditions of vibrations or in presence of dynamic loads these values should be reduced. We cannot accept responsibility for mounts that have been tampered or modified.