

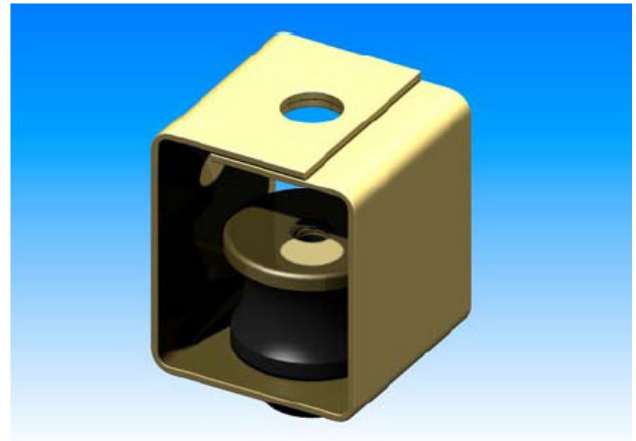


PH-2 Hanger

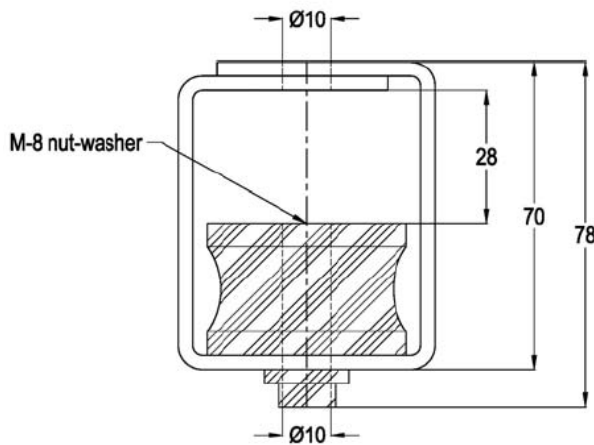
PH-2 Hangers are typically used to isolate suspended fans, ductwork, fan-cool units, packaged air-conditioners, pipes, etc. They are also very effective for the support of suspended ceilings where acoustical isolation is required. The static deflection ranges from 2 to 5 mm. and features protection against complete loss of support in the event of mechanical or fire damage.

Load Capacity: 2 to 360 lbs.

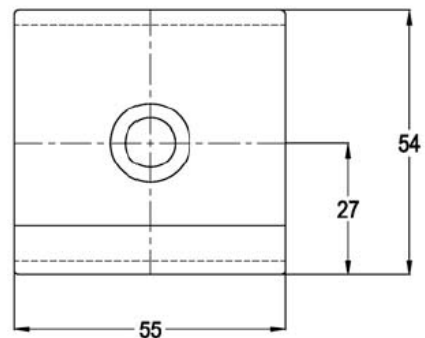
Applications: hanger-elements for piping, acoustic ceilings, fans, air-conditioning units, sensitive equipment, etc.



SIDE-VIEW



TOP-VIEW



LOAD CHARACTERISTICS

