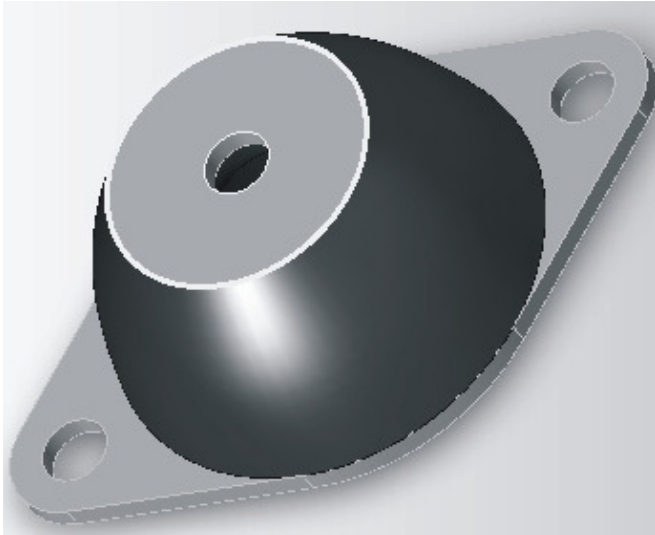


# VM Mounts



VM mounts are specifically designed to produce high % isolation results. The high deflection characteristics are good for isolating slow speed machinery. Typical % isolation results are in the range of 90%-95%. They are not designed for mobile machinery because they have no fail-safe mechanism.

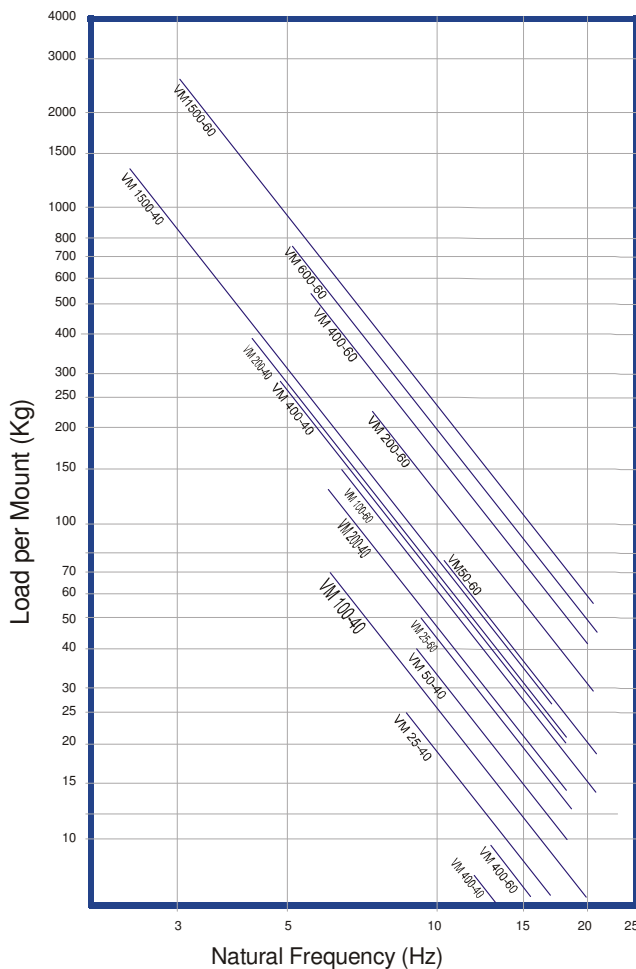
## TECHNICAL CHARACTERISTICS

- Low Natural Frequencies down to 2.5 hz.
- Weight Range: 3.5 to 2500 kg.
- Ideal for isolating low frequency vibrations for stationary machines.
- Zinc plated metal parts provide extra corrosion protection.

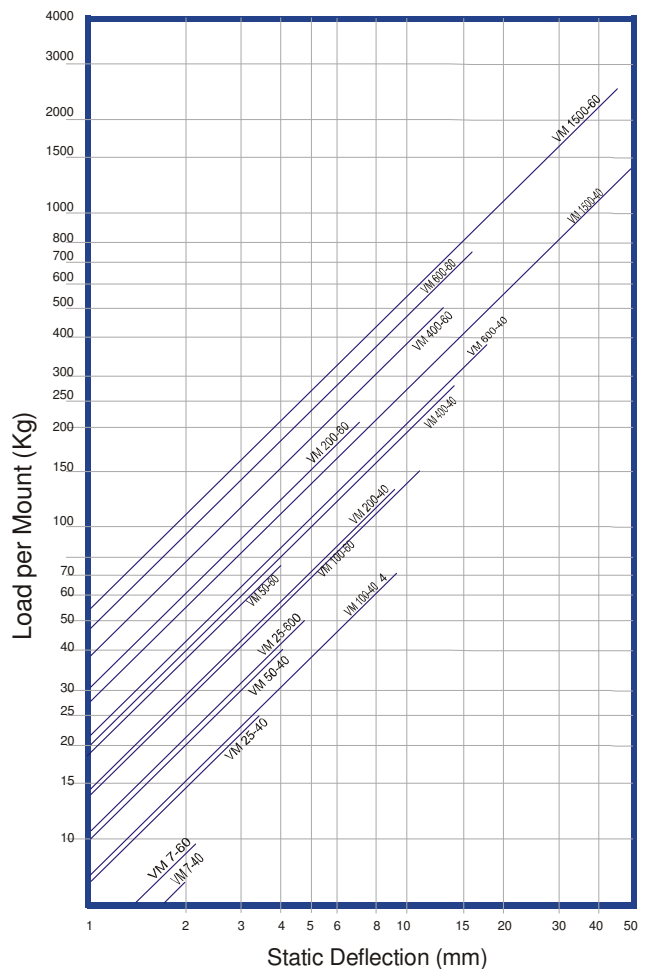
## APPLICATIONS

- Food processing
- AC Units
- Fans
- Compressors
- Electronics
- Electric Motors
- Pumps

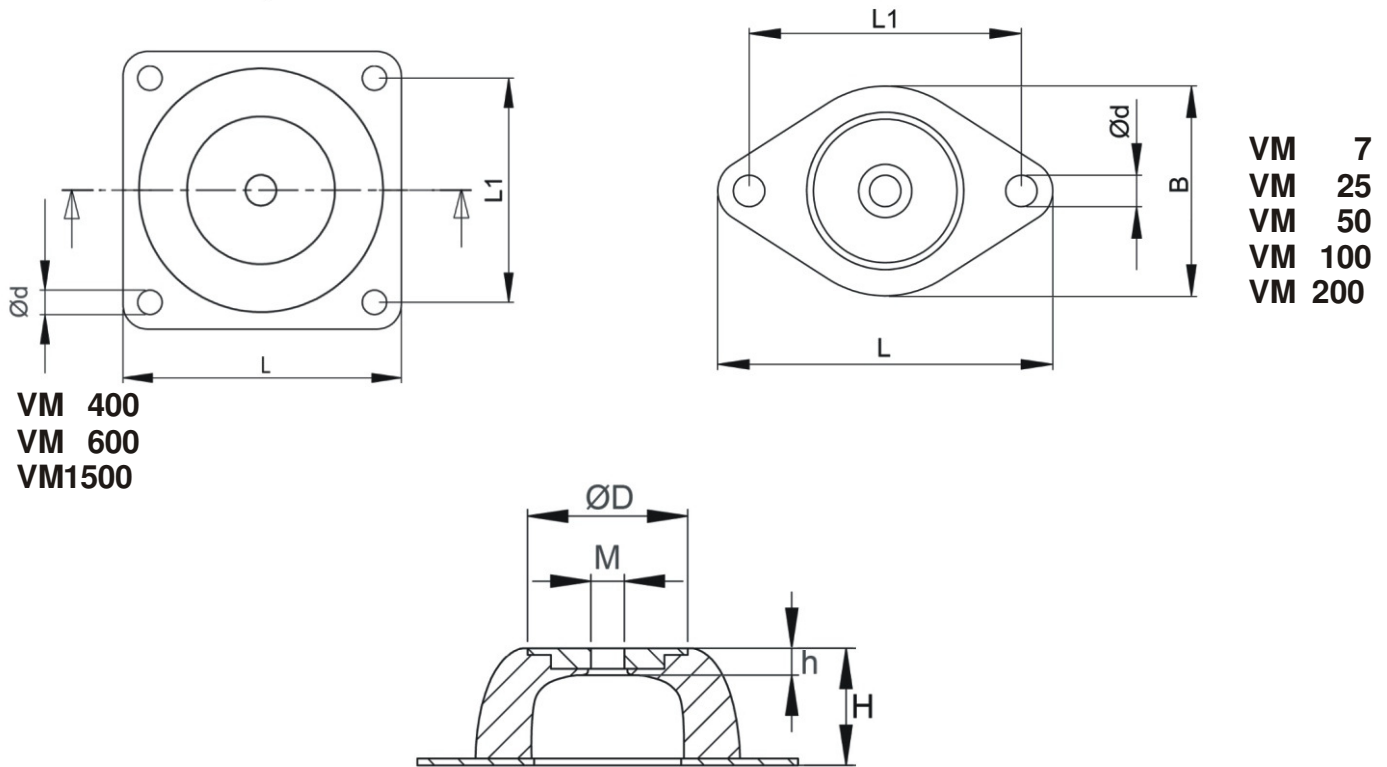
**VM - Dynamic**  
Natural Frequencies



**VM - Deflection**  
Load/Deflection graphs



# VM Mounts



TYP	D	B	L1	L	H	h	d	M	M-MAX. (KG) 40°SH	M-MAX. (KG) 60°SH	Weight (KG)
VM 7	18	43	50	64	20	7	7.0	M-6	3.5	9	0.020
VM 25	33	56	66	85	25	11	8.0	M-8	25	50	0.070
VM 50	45	76	92	114	35	14	10.0	M-10	40	80	0.160
VM 100	53	96	110	136	40	15	11.5	M-10	70	150	0.260
VM 200	58	101	124	151	45	13	11.5	M-10	130	220	0.420
VM 400	78	-	120	150	63	18	14.5	M-12	280	500	1.060
VM 600	100	-	160	200	85	25	14.5	M-16	380	750	2.350
VM 1500	186	-	250	310	160	43	18.0	M-24	1400	2500	9.430